

- Concealed, full-extension wooden drawer slide
- The Oilbrake System guarantees silent and gentle closing
- Easy removal / fitting with **SmartLock®**
- The **SmartLock®** System provides a $\pm 1.5\text{mm}$ horizontal and +2mm upwards adjustment opportunity
- 30 kg dynamic load capacity
- Maximum up to 19mm wooden side application
- Drawer length alternatives: 250/300/350/400/450/500/550/600 mm
- The improved stability guarantees a long product durability

1-2 Smart Slide Drawer Slide incl. SmartLock®

Nominal Size	Packing Type	Code
350 mm.	1 Set	6500762
400 mm.	1 Set	6500763
450 mm.	1 Set	6500764
500 mm.	1 Set	6500765
550 mm.	1 Set	6500766

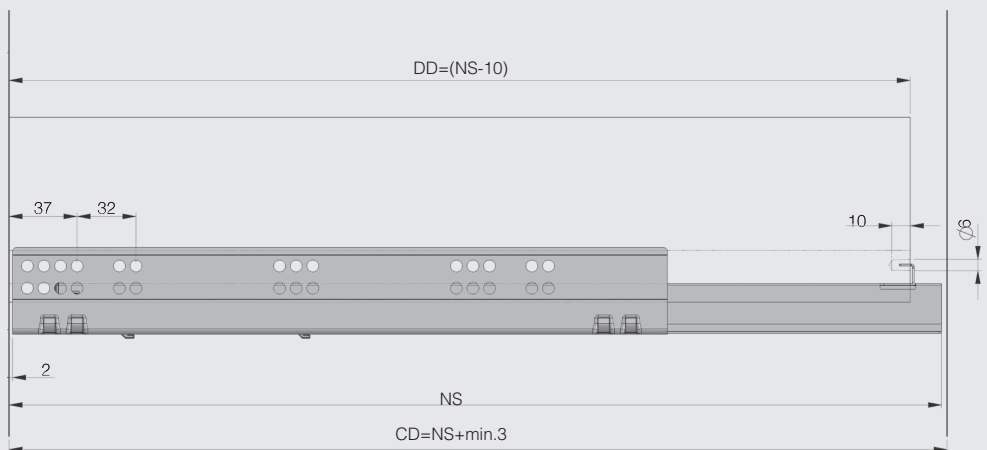
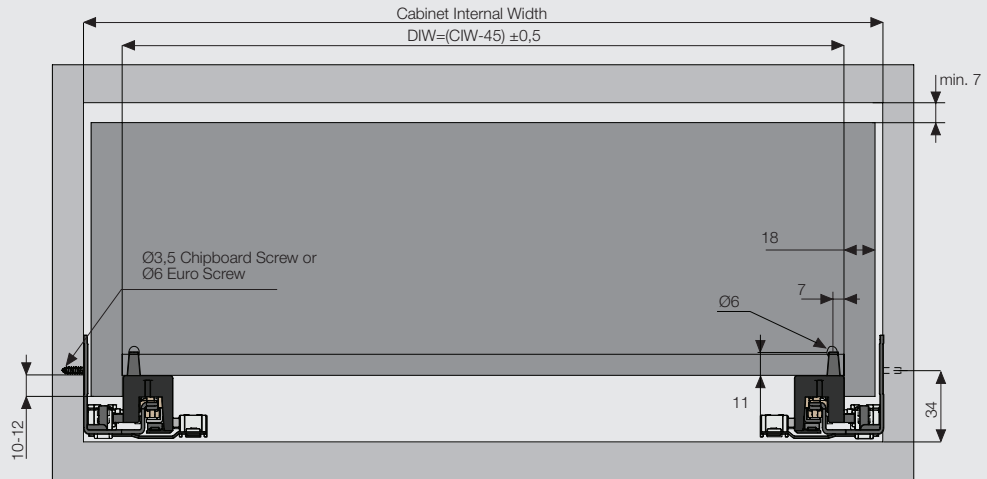
1 Smart Slide Drawer Slide

Nominal Size	Packing Type	Code
350 mm.	1 Set	12723323
400 mm.	1 Set	12723324
450 mm.	1 Set	12723325
500 mm.	1 Set	12723326
550 mm.	1 Set	12723327

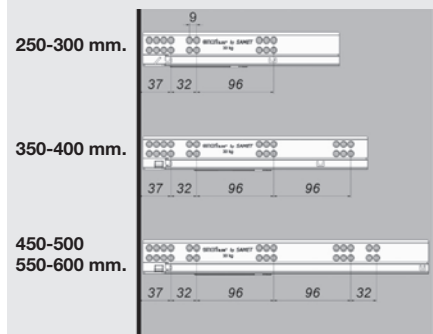
2 SmartLock® Right-Left

Packing Type	Code
1 Set	6501700

Drawer and Cabinet Dimensions



Side Screw Location



- CD** Cabinet Depth
- CIW** Cabinet Internal Width
- DIW** Drawer Internal Width
- DD** Drawer Depth
- NS** Nominal Size

* All dimensions in the diagram are in mm.