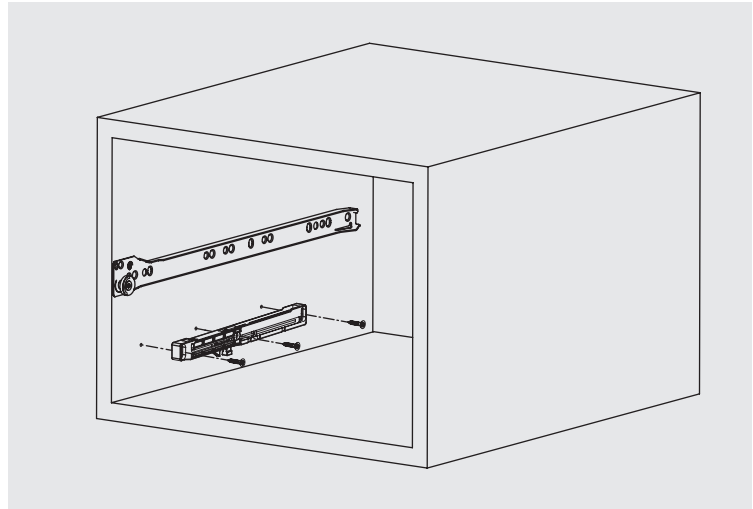


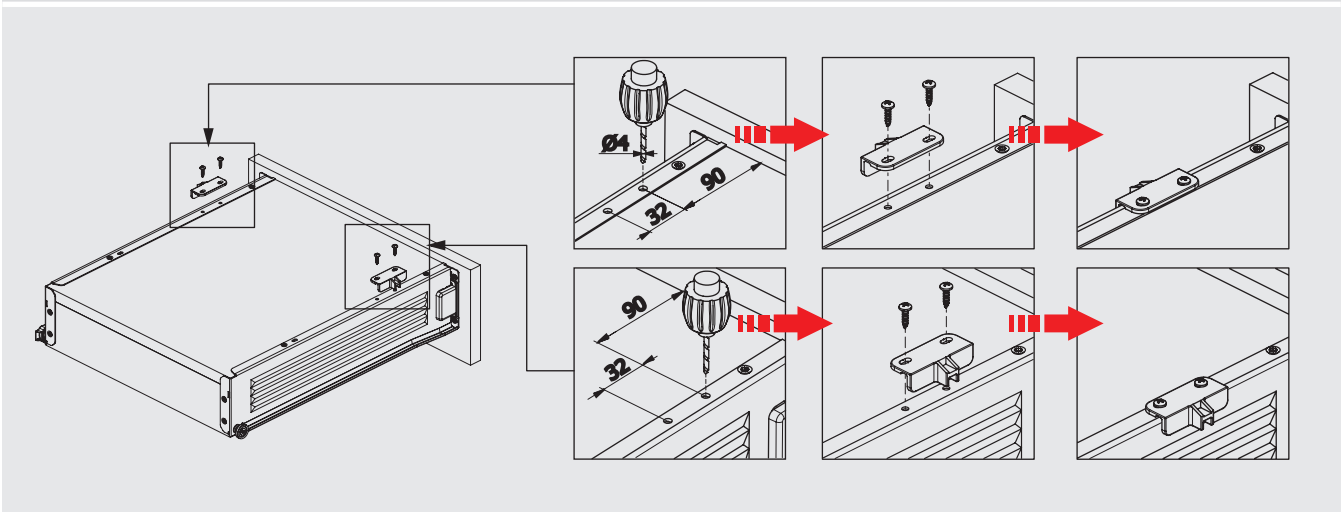
- It is used to add soft closing function to Sam Box drawers
- Same product can be used at right and left sides
- It is advised to use two products for each drawer



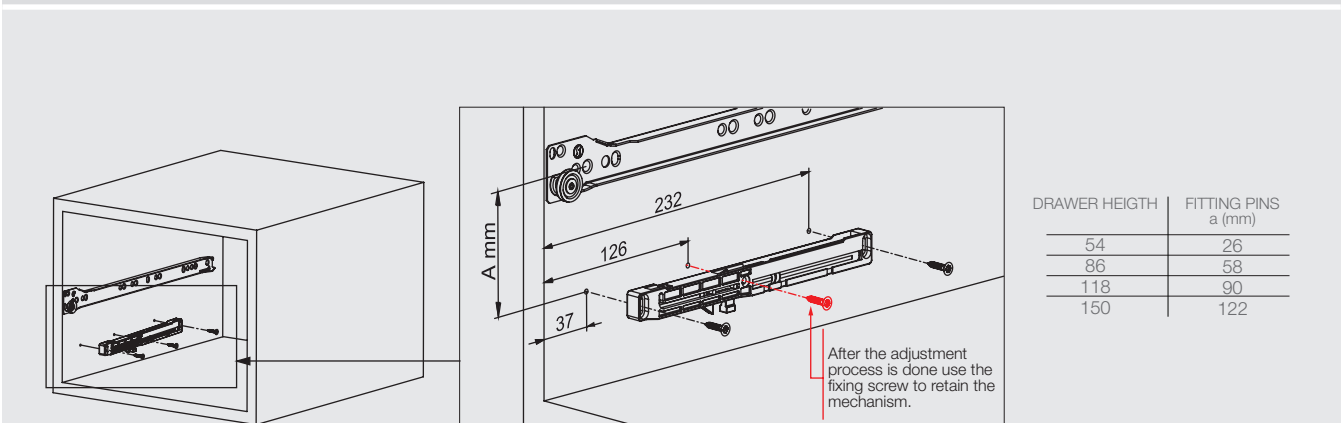
Soft Close Mechanism

Packing Type	Colour	Code
1 Set	Grey	6500672

Drive Part Assembly



Soft Close Mechanism Assembly



* All dimensions in the diagram are in mm.