

Specifications

- Improved soft closing system guarantees smooth running
- 40 kg dynamic load capacity
- 180 mm backboard height
- White and Grey color options
- Wood backboard thickness 16 mm
- 350/400/450/500mm drawer length
- Smart-click; Front panel toolless assembly/disassembly.
- Smart-fit; Easy toolless drawer removal and fitting.
- Long service life

Package:

1. Smartbox slide (right-left)
2. Smartbox side (right-left)
3. Backboard holder (right-left)
4. Inner Drawer Front Connectors (2 pcs)
5. Decorative cover (2pcs)
6. Gallery Rails (2 x Set 2)
7. Plexi side panels or Steel side panels H:112 (Set 2)
8. Drawer Bottom Panel Holder

Drawer Set with Plexi Sides			
Nominal Size	Packaging Type	Colour Grey	Colour White
350mm.	1 Set		6500330
400mm.	1 Set		6500331
450mm.	1 Set	6500360	6500332
500mm.	1 Set	6500361	6500333

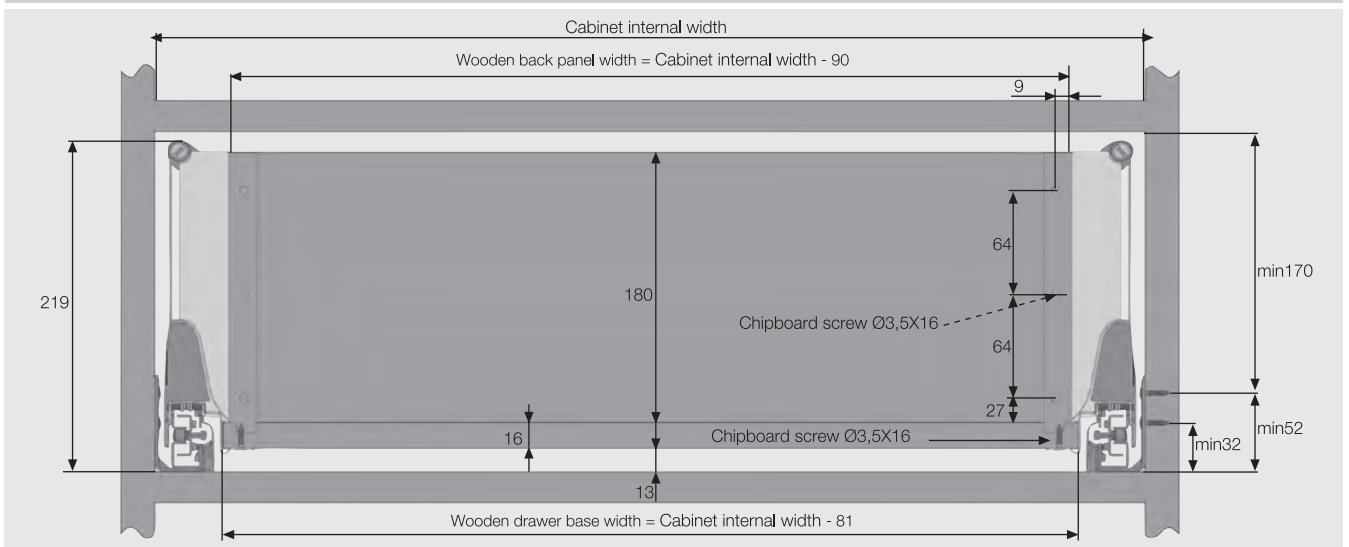
Front Panel			
Nominal Length	Packaging Type	Colour Grey	Colour White
1069mm.	Ea	12791731069	12791711069

Drawer Set with Steel Sides			
Nominal Size	Packaging Type	Colour Grey	Colour White
450mm.	1 Set	6500365	6500342
500mm.	1 Set	6500367	6500343

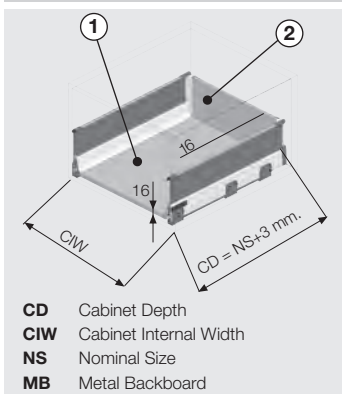
Single Cross Rail			
Nominal Length	Packaging Type	Colour Grey	Colour White
1104mm.	Ea	1121983	1121981

Drawer set contains front Inner Drawer Front Connectors, but front panel and cross rail need to be ordered separately

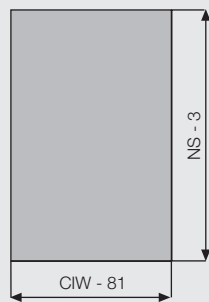
Requirement for Place In The cabinet



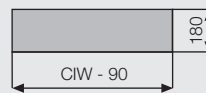
Wooden Backboard Application



1. Wooden Drawer Floor Width



2. Wooden Backboard



Screw Locations for the Slides

