

### Specifications

- Improved soft closing system guarantees smooth running
- 40 kg dynamic load capacity
- $\pm 2$  mm up/down,  $\pm 1.5$  mm right/left adjustable
- 116 mm backboard height
- White and Grey colour options
- Wood backboard thickness 16 mm
- 350/400/450/500mm drawer length
- Smart-click; Front panel toolless assembly/disassembly.
- Smart-fit; Easy toolless drawer removal and fitting.
- Long service life

### Package:

1. Smartbox slide (right-left)
2. Smartbox side (right-left)
3. Backboard holder (right-left)
4. Front connector pieces (2 pcs)
5. Decorative cover (2pcs)
6. Gallery Rails (Set 2)
7. Plexi side panels or Steel side panels H:48 (Set 2)

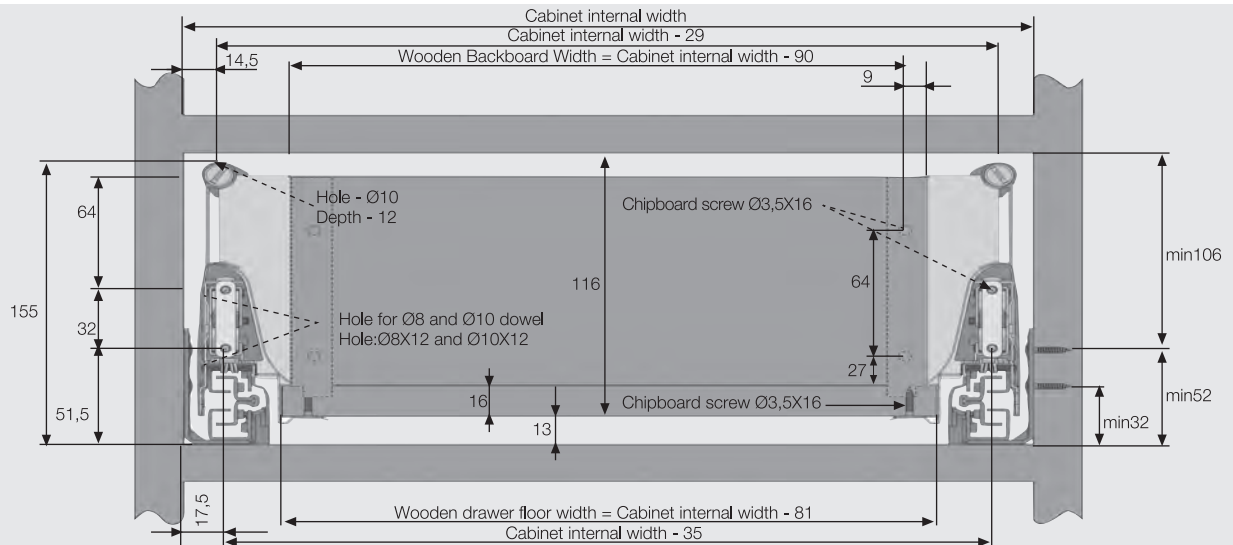
#### Drawer Set with Plexi Sides

Nominal Size	Packaging Type	Colour Grey	Colour White
350mm.	1 Set	6501613	6501600
400mm.	1 Set		6501601
450mm.	1 Set	6501615	6501602
500mm.	1 Set	6501616	6501603

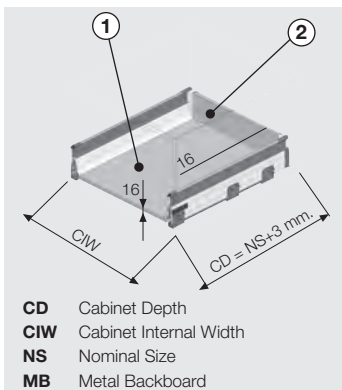
#### Drawer Set with Steel Sides

Nominal Size	Packaging Type	Colour Grey	Colour White
450mm.	1 Set	6501619	6501607
500mm.	1 Set	6501620	6501608

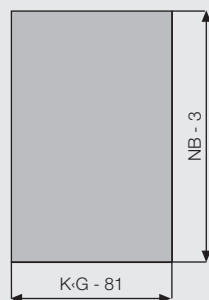
### Requirement for Place In The cabinet



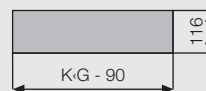
### Wooden Backboard Application



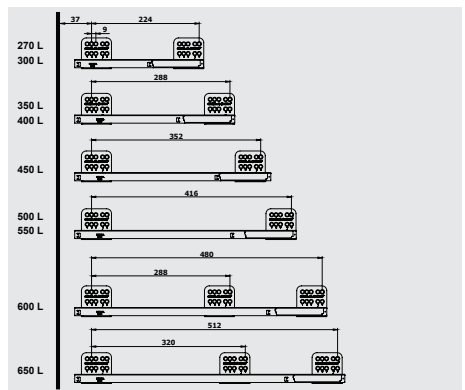
#### 1. Wooden Drawer Floor Width



#### 2. Wooden Backboard



### Screw Locations for the Slides



\* All dimensions in the diagram are in mm.