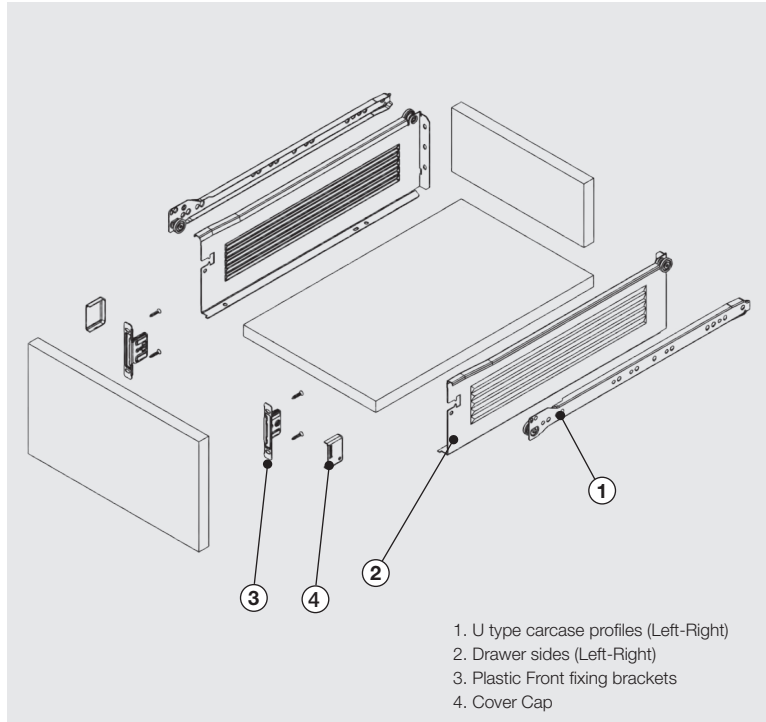




Specifications

- Aesthetic Steel structure
- Automatic closing from 70 mm
- 300/350/400/450/500/550 mm size options
- Electrostatic painting (white)
- Special silent wheel system
- Long service life
- 25 kg. loading capacity
- Safety system to prevent drawer falling
- It is possible to adjust drawer surface vertical-horizontal



1. U type carcass profiles (Left-Right)
2. Drawer sides (Left-Right)
3. Plastic Front fixing brackets
4. Cover Cap

1-2-3 Drawer Set incl. Front Connectors

Slide Length	Packing Type	Colour	Code
300 mm.	1 Set	White	6500640
350 mm.	1 Set	White	6500641
400 mm.	1 Set	White	6500642
450 mm.	1 Set	White	6500643
500 mm.	1 Set	White	6500644
550 mm.	1 Set	White	6500645

1-2 Drawer Set

Slide Length	Packing Type	Colour	Code
300 mm.	1 Set	White	1121321
350 mm.	1 Set	White	1121331
400 mm.	1 Set	White	1121341
450 mm.	1 Set	White	1121351
500 mm.	1 Set	White	1121361
550 mm.	1 Set	White	1121371

3 Front Connector

Material	Packing Type	Type	Colour	Code
Zamac	Pair	Screw On	Nickel	6500670
Zamac	Pair	Dowel	Nickel	6500671

Indicate if you want to substitute screw on with doweled.

4 Cover Cap

Material	Packing Type	Colour	Code
Plastic	Pair	White	1121821

Soft Close Mechanism

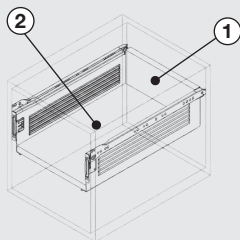
Packing Type	Colour	Code
1 Set	Grey	6500672

Refer to page C9 for technical information

Required space in the cabinet



Dimensioning Formulas



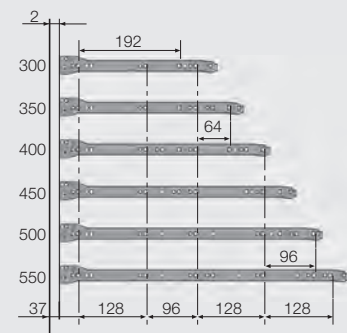
①

Drawer Back Panel width: Cabinet Inner width -31mm(max.33mm)
 Drawer Back Panel Height:min.103 mm (for 16 mm chipboard)
 Drawer Back Panel Height: min 111 mm. (for 8mm chipboard)

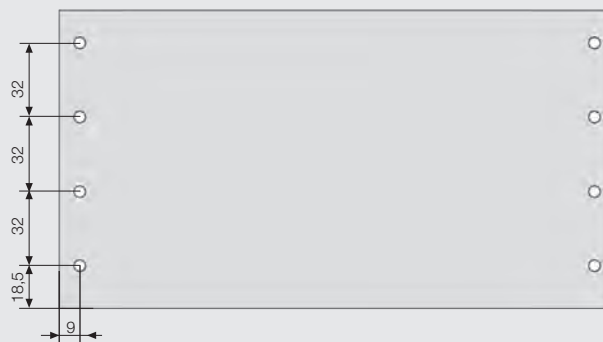
②

Drawer wooden floor width=Cabinet Internal width -31mm(max.33mm)
 Drawer wooden floor length=Slide length -1mm

Screw Location Dimensions for slides



Back Panel Application



* All dimensions in the diagram are in mm.