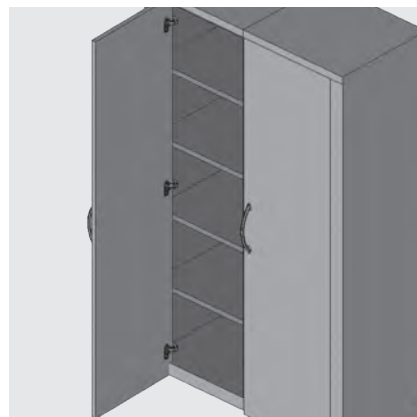


# hinge systems

## Star Track Blind Corner Hinge



- Opening angle: 110°
- Cup diameter: 35mm.
- Cup Depth: 11.2mm.
- Hinge Body: Zamac
- Hinge Cup: Steel
- Coating: Nickel
- Assembling and disassembling feature with one touch on the door without using screw driver.



### Star 90° Track Hinge

Description	Code
Chipboard Screw "52mm."	1018153
Ø10 Dowel "52mm."	1018393

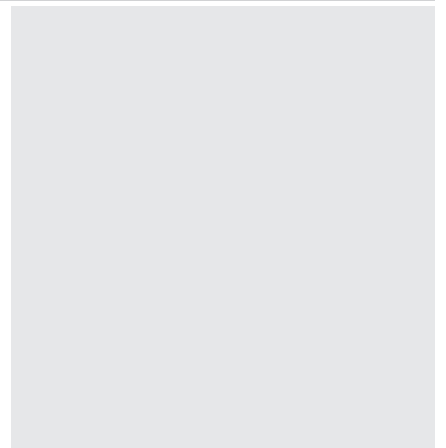
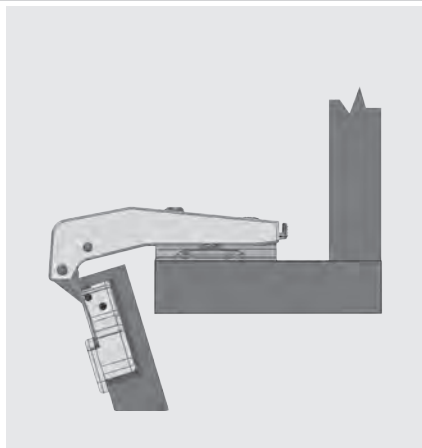
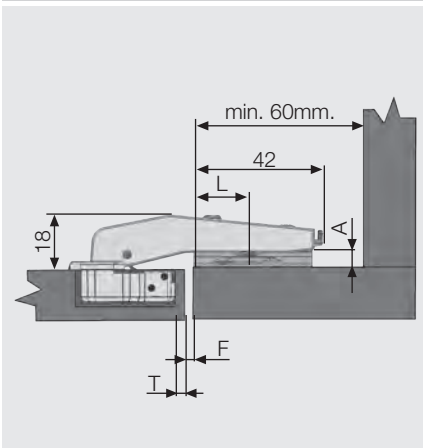
### Page Directions

Assembling, Disassembling  
For Mounting Plate

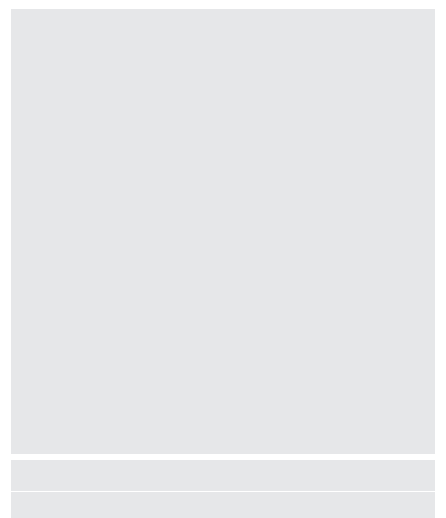
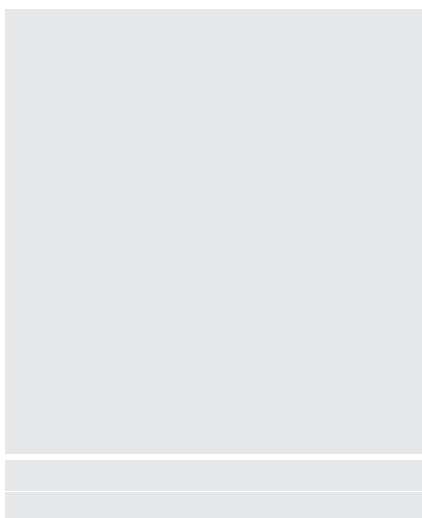
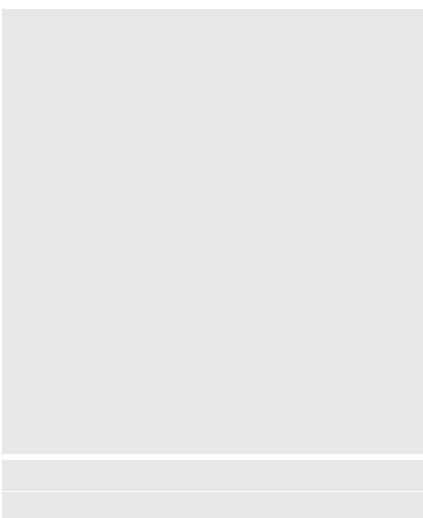
Pg. F33

Pg. F19

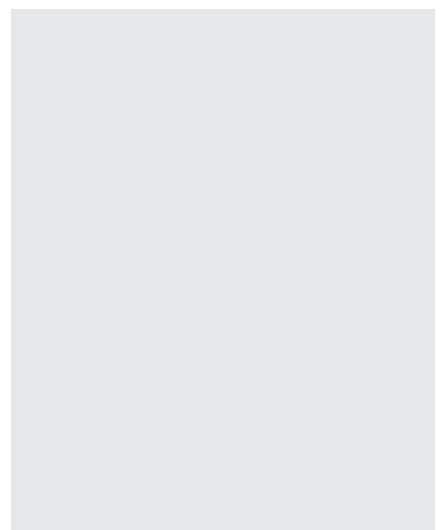
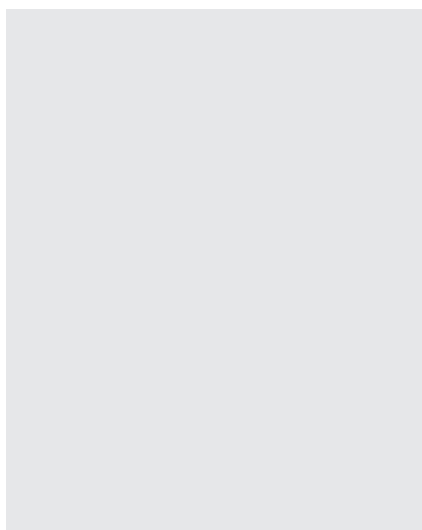
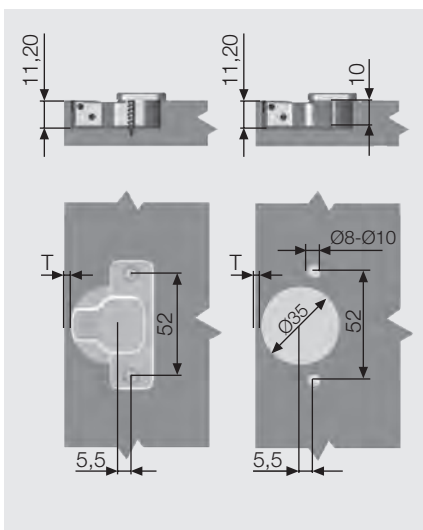
### Application Alternatives



T	L	A	F
3	19	5	2
4	19	5	1



### Cup Dimensions "52mm."



\*Note 1: Dowels are used for hinge cup. \*Note 2: 52 mm. indicate hole distance of hinge cup.