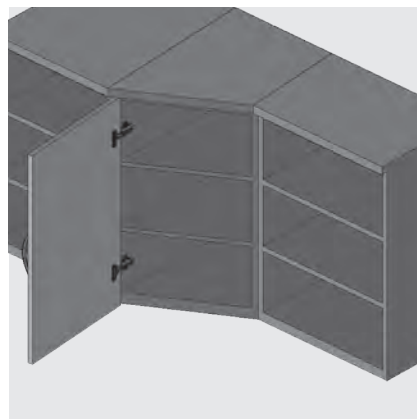


# hinge systems

## Star -45° Track Hinge



- Opening angle: 110°
- Cup diameter: 35mm.
- Cup Depth: 11.2mm.
- Hinge Body: Zamac
- Hinge Cup: Steel
- Coating: Nickel
- Assembling and disassembling feature with one touch on the door without using screw driver.



### Star -45° Track Hinge

Description	Code
Chipboard Screw "52mm."	1018083
Ø10 Dowel "52mm."	1018873

### Page Directions

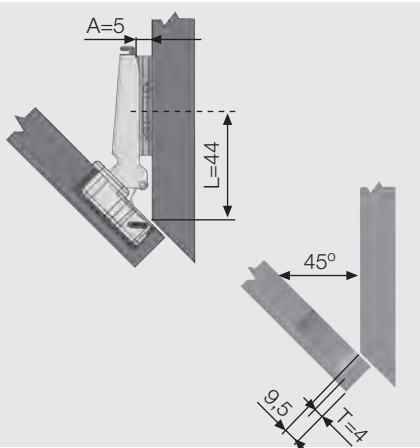
Assembling, Disassembling  
For Mounting Plate

Pg. F33

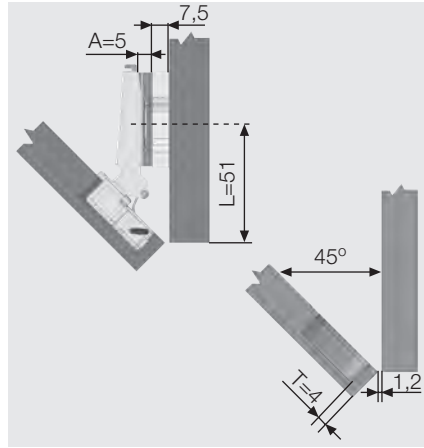
Pg. F19

### Application Alternatives

Please check [page F27](#) for (+5) or (-5) distances or distances for specifications to acquire mid measures if it is required

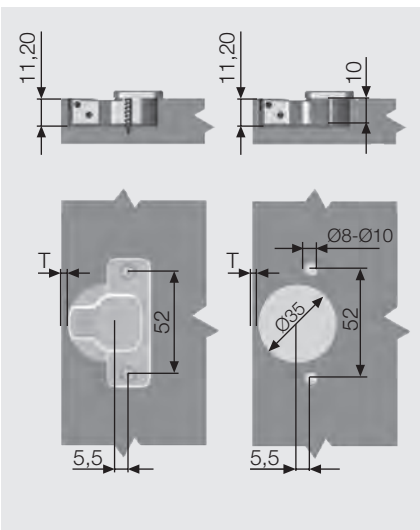


T	L	A
4	44	5



T	L	A
4	51	5+7,5

### Cup Dimensions "52mm."



\*Note 1: Dowels are used for hinge cup. \*Note 2: 52 mm. indicate hole distance of hinge cup.