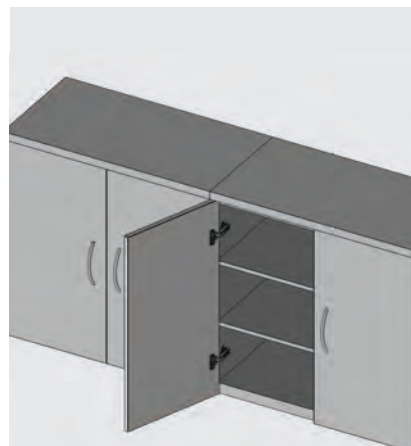


hinge systems

Impro Soft Close Hinge



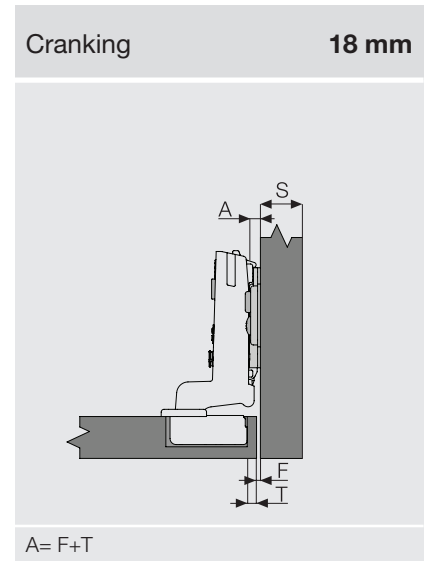
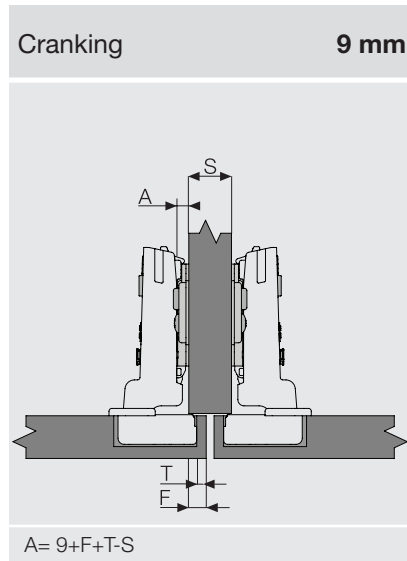
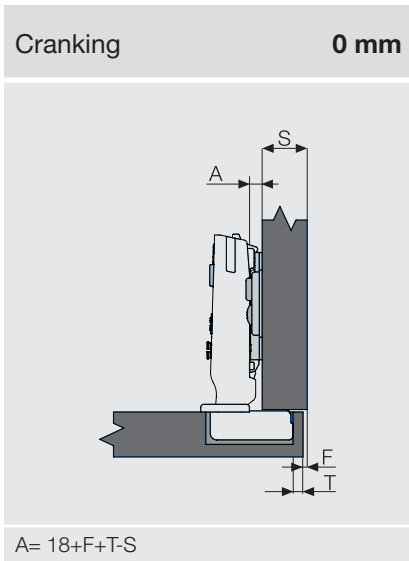
- Opening angle: 110°
- Cup diameter: 35mm
- Cup Depth: 12,54 mm
- Hinge Body: Steel
- Hinge Cup: Steel
- Crank type: 0-9-18 mm
- Finish: Nickel
- Packaging: 125 Pieces
- Tool free and simple assembling and disassembling of the cabinet doors. Only one touch on the Track mechanism is enough to release and fix the cabinet doors.
- 5 Level integrated damper system provides soft closing.
- The eccentric part covering the hinge's body adds a forward and backward adjustability of 4mm.



Cranking		0 mm.
Description	Code	
Chipboard Screw "52mm."	10100313	
Ø10 Dowel "52mm."	101003132	

Cranking		9 mm.
Description	Code	
Chipboard Screw "52mm."	10100323	
Ø10 Dowel "52mm."	101003232	

Cranking		18 mm.
Description	Code	
Chipboard Screw "52mm."	10100333	
Ø10 Dowel "52mm."	101003332	



Calculation Table

Cranking		0 mm		Cranking		9 mm		Cranking		18 mm					
S	Wall Thickness	18		16		S	Wall Thickness	18		16					
A	Thickness of Distance	5	7	7	7	9	9	A	Thickness of Distance	5	7	7			
F	Minimum Gap	1	1	2	1	1	2	F	Minimum Gap	10	10	11	9	10	-
T	Cup Distance	4	6	5	4	6	5	T	Cup Distance	4	6	5	4	4	-

