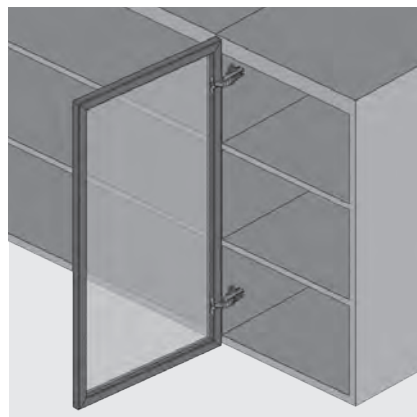


hinge systems

Aluminium Profile Star Track Hinge



- Opening angle: 95°
- Hinge Body: Steel
- Hinge Cup: Zamac
- Crank type: 0-9-18
- Coating: Nickel
- Assembling and disassembling feature with one touch on the door without using screw driver.



Cranking	0 mm.
Aluminium Profile Star Track Hinge	
Description	Code
Cranking	103114

Cranking	9 mm.
Aluminium Profile Star Track Hinge	
Description	Code
Cranking	103115

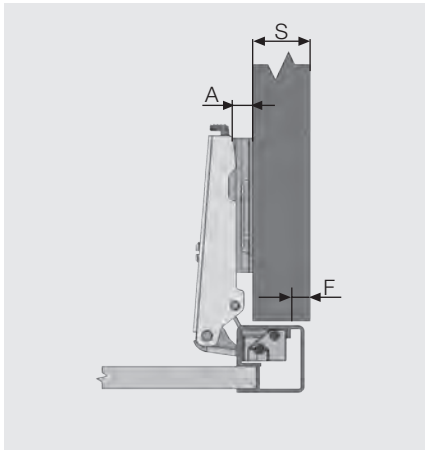
Page Directions

**Assembling, Disassembling
For Mounting Plate**

Pg. F33

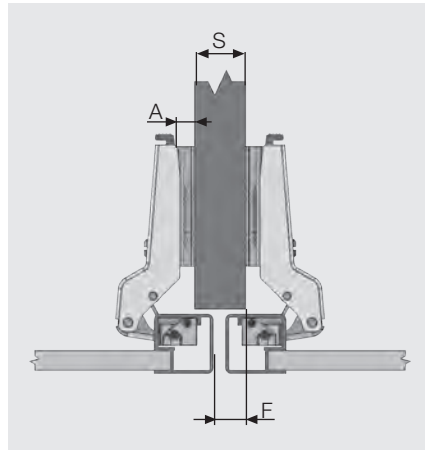
Pg. F19

Cranking 0 mm.



Formula: $A=23+F-S$

Cranking 9 mm.



Formula: $A=14+F-S$

Calculation Table

Cranking 0 mm.

S	Side Thickness	18		16	
A	Mounting Plate Thickness	5	7	7	9
F	Minimum Gap	0	2	0	2

Cranking 9 mm.

S	Side Thickness	18		16	
A	Mounting Plate Thickness	6	7	7	-
F	Minimum Gap	10	11	9	-

Cup Hole Dimensions

