

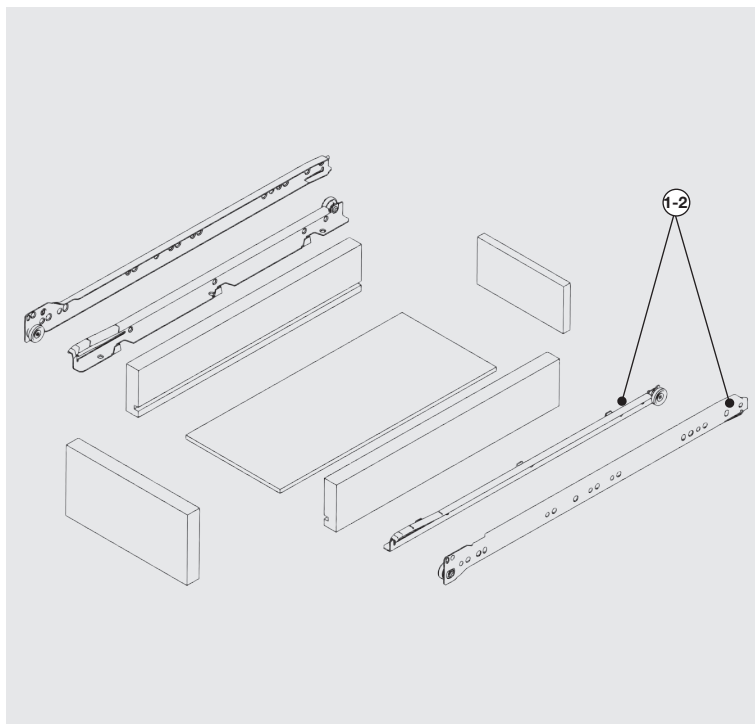
Bottom Mounting Drawer Slides

Bottom Mounting Drawer Slides



Specifications

- Self closing
- 250/300/350/400/450/500/550/600 mm length options
- Electrostatic painting (white)
- Special silent wheel system
- Long Service Life
- 25 kg. loading capacity
- Safety system top prevent drawer failing from cabinet.

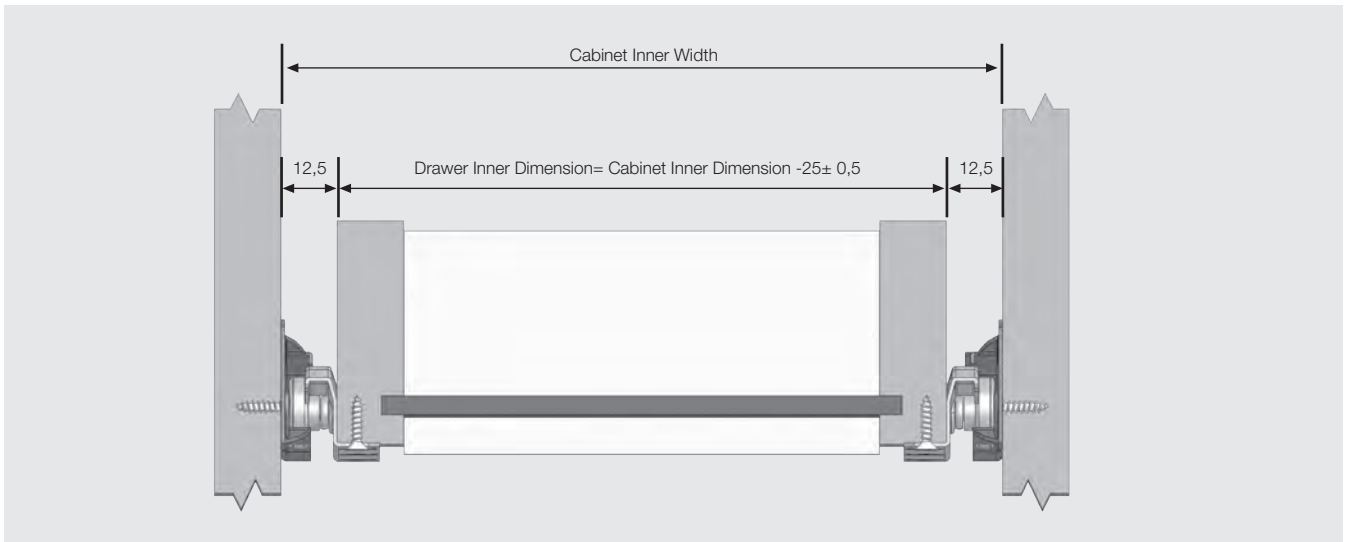


1-2

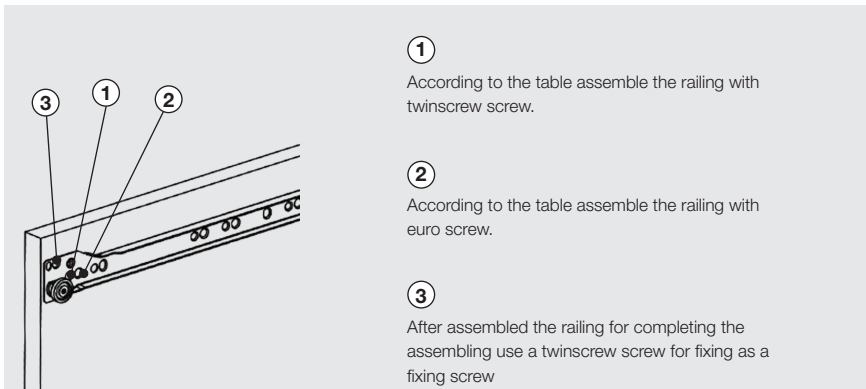
Drawer Set

Slide Length	Packing Type	Colour	Code
250 mm.	1 Set	White	11201170
300 mm.	1 Set	White	11201270
350 mm.	1 Set	White	11201370
400 mm.	1 Set	White	11201470
450 mm.	1 Set	White	11201570
500 mm.	1 Set	White	11201670
550 mm.	1 Set	White	11201770
600 mm.	1 Set	White	112900

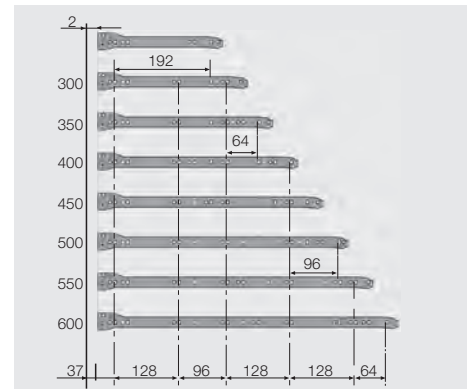
Required space in the cabinet



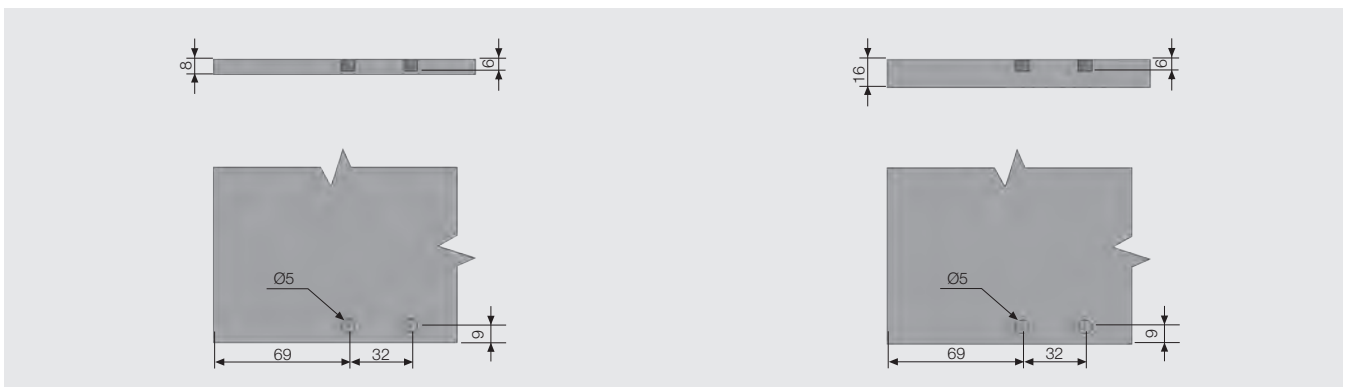
Assembling Application



Screw Location Dimensions for slides



Back Panel Application



* All dimensions in the diagram are in mm.