





neolift

- Aesthetic appearance
- Finishing: White, Grey and Light Grey
- Gradual opening ability
- Soft closing specification guarantees silently and smoothly working while with a full-cover function
- ABS Material
- Its smooth surface facilitates the cleaning process

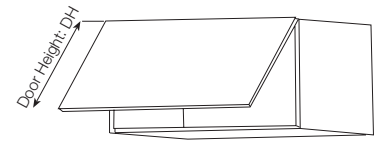
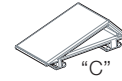
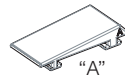


| Neolift | | | |
|-------------------|----------------|--------|----------|
| Description | Packaging Type | Colour | Code |
| Neolift 35 Newton | Pair | White | 12403422 |
| Neolift 45 Newton | Pair | White | 12403432 |
| Neolift 50 Newton | Pair | White | 12403442 |
| Neolift 60 Newton | Pair | White | 12403452 |

Product Selection Table

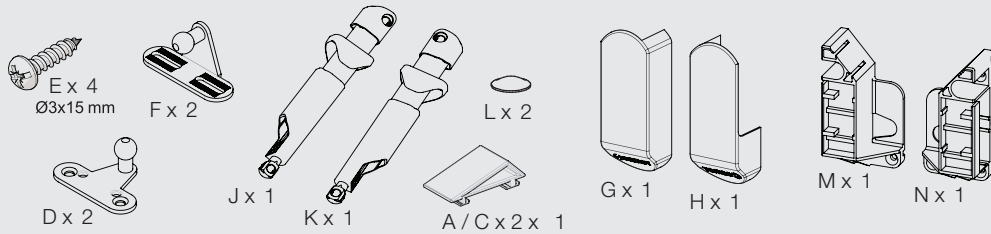
Door height (mm) and weight (Kg)*

*Weights include handles
For the intercepting areas a more powerful mechanism is recommended.



| Door Height: DH (mm) | 35 N "C" | 45 N "C" | 50 N "C" | 60 N "C" |
|----------------------|-------------|-------------|-------------|-------------|
| 350 | 3.55 - 5.50 | 5.50 - 6.50 | 5.60 - 7.15 | 6.80 - 7.80 |
| 360 | 3.45 - 5.40 | 5.40 - 6.35 | 5.50 - 7.10 | 6.70 - 7.80 |
| 370 | 3.40 - 5.25 | 5.25 - 6.20 | 5.35 - 7.00 | 6.65 - 7.65 |
| 380 | 3.30 - 5.10 | 5.10 - 6.05 | 5.15 - 6.90 | 6.55 - 7.60 |
| 390 | 3.25 - 4.95 | 4.95 - 5.90 | 5.00 - 6.85 | 6.45 - 7.60 |
| 400 | 3.20 - 4.75 | 4.75 - 5.75 | 4.95 - 6.75 | 6.35 - 7.50 |
| 410 | 3.15 - 4.60 | 4.60 - 5.60 | 4.85 - 6.65 | 6.25 - 7.40 |
| 420 | 3.10 - 4.45 | 4.45 - 5.50 | 4.75 - 6.55 | 6.15 - 7.40 |
| 430 | 3.05 - 4.30 | 4.30 - 5.35 | 4.70 - 6.45 | 6.05 - 7.35 |
| 440 | 3.00 - 4.20 | 4.20 - 5.20 | 4.60 - 6.30 | 5.95 - 7.30 |
| 450 | 2.95 - 4.10 | 4.10 - 5.10 | 4.50 - 6.20 | 5.85 - 7.20 |
| 460 | 2.90 - 4.00 | 4.00 - 5.00 | 4.40 - 6.05 | 5.75 - 7.00 |
| 470 | 2.85 - 3.95 | 3.95 - 4.85 | 4.30 - 5.95 | 5.65 - 6.85 |
| 480 | 2.80 - 3.85 | 3.85 - 4.75 | 4.25 - 5.80 | 5.50 - 6.70 |
| 490 | 2.75 - 3.80 | 3.80 - 4.65 | 4.15 - 5.70 | 5.40 - 6.50 |
| 500 | 2.70 - 3.75 | 3.75 - 4.55 | 4.05 - 5.55 | 5.30 - 6.35 |
| 510 | 2.65 - 3.65 | 3.65 - 4.50 | 4.00 - 5.45 | 5.20 - 6.25 |
| 520 | 2.60 - 3.65 | 3.65 - 4.40 | 3.95 - 5.35 | 5.10 - 6.10 |
| 530 | 2.55 - 3.60 | 3.60 - 4.30 | 3.85 - 5.25 | 5.00 - 6.00 |
| 540 | 2.50 - 3.55 | 3.55 - 4.25 | 3.80 - 5.15 | 4.90 - 5.90 |
| 550 | 2.40 - 3.50 | 3.50 - 4.15 | 3.75 - 5.05 | 4.80 - 5.80 |
| 560 | 2.35 - 3.40 | 3.40 - 4.10 | 3.70 - 4.95 | 4.75 - 5.70 |
| 570 | 2.30 - 3.35 | 3.35 - 4.00 | 3.65 - 4.90 | 4.65 - 5.60 |
| 580 | 2.20 - 3.30 | 3.30 - 3.95 | 3.55 - 4.80 | 4.55 - 5.50 |
| 590 | 2.20 - 3.25 | 3.25 - 3.85 | 3.50 - 4.75 | 4.50 - 5.40 |
| 600 | 2.15 - 3.20 | 3.20 - 3.80 | 3.50 - 4.70 | 4.40 - 5.30 |
| 610 | 2.10 - 3.15 | 3.15 - 3.75 | 3.45 - 4.65 | 4.30 - 5.20 |
| 620 | 2.10 - 3.10 | 3.10 - 3.65 | 3.40 - 4.60 | 4.25 - 5.05 |
| 630 | 2.10 - 3.15 | 3.15 - 3.60 | 3.35 - 4.40 | 4.20 - 4.95 |
| 640 | 2.05 - 3.00 | 3.00 - 3.55 | 3.30 - 4.20 | 4.10 - 4.85 |
| 650 | 2.05 - 2.90 | 2.90 - 3.50 | 3.25 - 4.15 | 4.05 - 4.80 |
| 660 | 2.05 - 2.80 | 2.80 - 3.45 | 3.20 - 4.10 | 4.00 - 4.70 |
| 670 | 2.00 - 2.75 | 2.75 - 3.40 | 3.20 - 4.05 | 3.95 - 4.65 |
| 680 | 2.00 - 2.70 | 2.70 - 3.35 | 3.15 - 4.00 | 3.90 - 4.60 |
| 690 | 2.00 - 2.65 | 2.65 - 3.30 | 3.15 - 3.95 | 3.85 - 4.55 |
| 700 | 2.00 - 2.65 | 2.65 - 3.25 | 3.10 - 3.90 | 3.80 - 4.50 |
| 710 | 2.00 - 2.60 | 2.60 - 3.20 | 3.05 - 3.85 | 3.75 - 4.45 |
| 720 | 1.95 - 2.55 | 2.55 - 3.15 | 3.00 - 3.80 | 3.70 - 4.40 |
| 730 | 1.95 - 2.50 | 2.50 - 3.10 | 2.95 - 3.70 | 3.70 - 4.40 |
| 740 | 1.95 - 2.50 | 2.50 - 3.05 | 2.90 - 3.65 | 3.65 - 4.35 |
| 750 | 1.95 - 2.40 | 2.40 - 3.00 | 2.80 - 3.60 | 3.60 - 4.30 |
| 760 | | | 2.75 - 3.50 | 3.55 - 4.25 |
| 770 | | | 2.70 - 3.45 | 3.50 - 4.20 |
| 780 | | | 2.60 - 3.40 | 3.45 - 4.15 |
| 790 | | | 2.55 - 3.30 | 3.35 - 4.10 |
| 800 | | | 2.50 - 3.20 | 3.30 - 4.00 |

Parts



Internal Cabinet Width : ICW
 Door Width : DW
 Door Height : DH

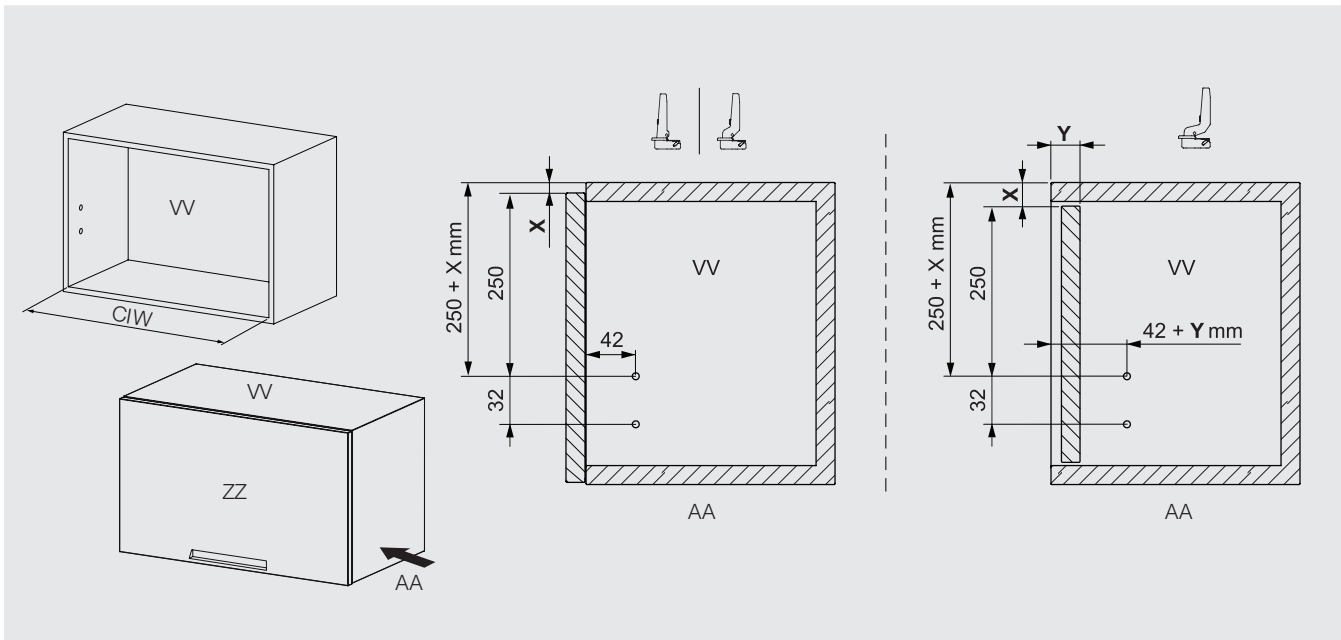
Recommended Screw



Ø 3,5 x 16 mm

Code: 1220103016

Cabinet Mounting Dimensions



Door Mounting Dimensions

