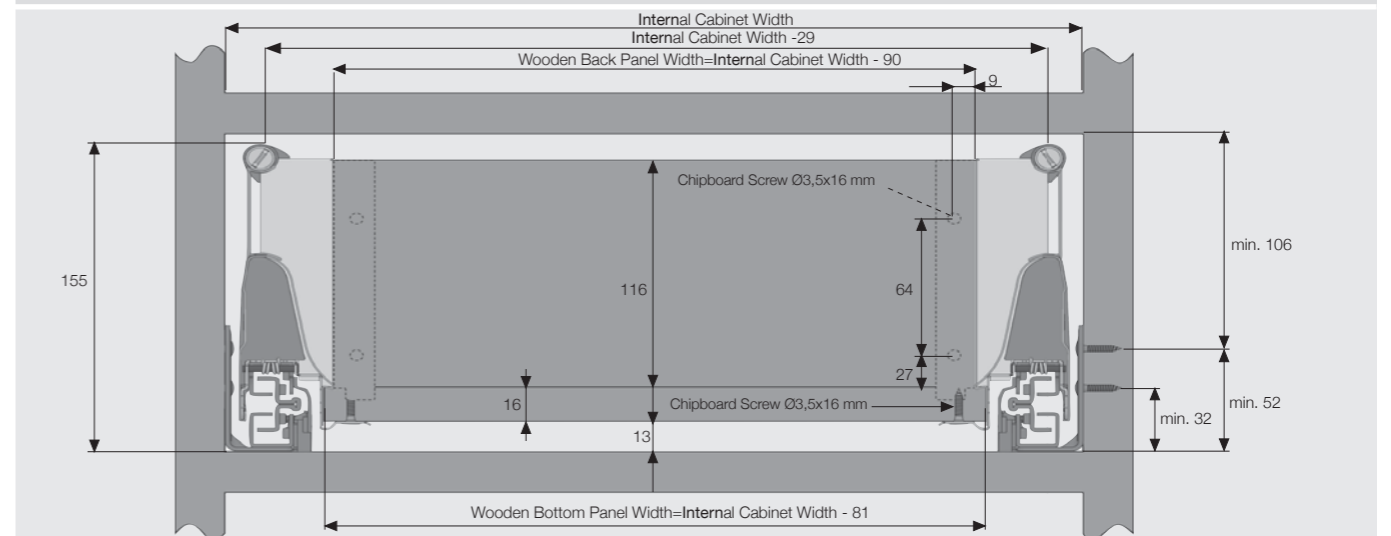
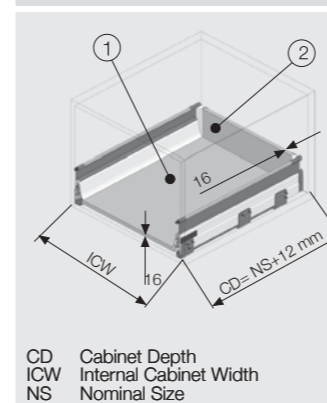


- Improved soft closing system guarantees smooth running
- Dynamic load capacity: 40 and 65 Kg
- Finish: White and Gray
- 116 mm casing height
- Wooden backboard thickness: 16 mm
- Drawer Length for 40 Kg: 270/300/350/400/450/500/550/600/650 mm
- Drawer Length for 65 kg: 450/500/550/600/650 mm
- Smart-Click: Tool free assembly and removal of front panel
- Smart-Fit: Simple and tool free assembly, as well as removal of drawer
- The improved stability guarantees a long product durability

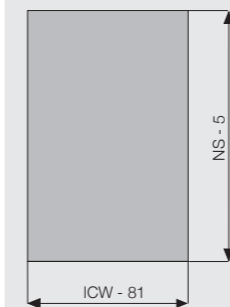
Slide Mounting Dimensions



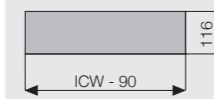
Wooden Back Panel Application



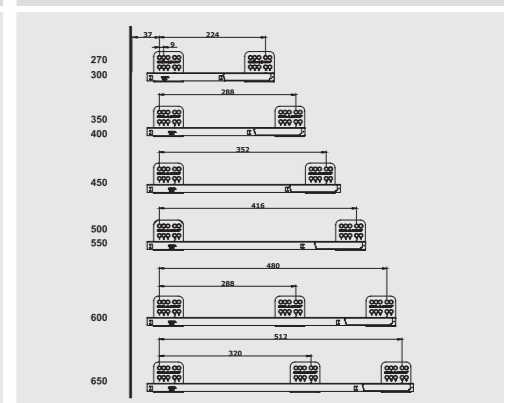
1. Wooden drawer Bottom



2. Wooden Back Panel



Slide Screw Location



Load Capacity 40 kg	1	Smart Box	Basic package
NOMINAL SIZE	CODE	16 mm	PACKAGING
270 mm	12714721*		4 Set/Box
300 mm	12714722*		4 Set/Box
350 mm	12714723*		4 Set/Box
400 mm	12714724*		4 Set/Box
450 mm	12714725*		4 Set/Box
500 mm	12714726*		4 Set/Box
550 mm	12714727*		4 Set/Box
600 mm	12714728*		4 Set/Box
650 mm	12714729*		4 Set/Box

2	Back Panel Holder	Single Gallery Railing**	
COLOR	CODE	16 mm	PACKAGING
White	12792021		20 Set
Gray	12792023		20 Set

** Gallery Railing Holders are included

3	Gallery Railing Bar	
NOMINAL SIZE	CODE	PACKAGING
270 mm	12790141*	20 Set
300 mm	12790142*	20 Set
350 mm	12790143*	20 Set
400 mm	12790144*	20 Set
450 mm	12790145*	20 Set
500 mm	12790146*	20 Set
550 mm	12790147*	20 Set
600 mm	12790148*	20 Set
650 mm	12790149*	20 Set

Load Capacity 65 kg	1	Smart Box	Basic package
NOMINAL SIZE	CODE	16 mm	PACKAGING
450 mm	12714925*		4 Set/Box
500 mm	12714926*		4 Set/Box
550 mm	12714927*		4 Set/Box
600 mm	12714928*		4 Set/Box
650 mm	12714929*		4 Set/Box

4	Front Panel	(LENGTH 1069 mm)
COLOR	CODE	PACKAGING
White	12791711069	10 Pcs
Gray	12791731069	10 Pcs

For order requirements and color options please refer to the "Side Panels" section on (Page 280-281)

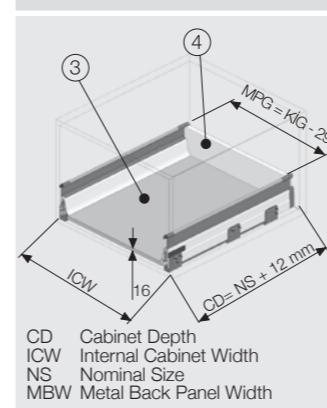
5	Front Connectors	Single Gallery Railing***
COLOR	CODE	PACKAGING
White	12792321	10 Set
Gray	12792323	10 Set

*** Front panel holder included

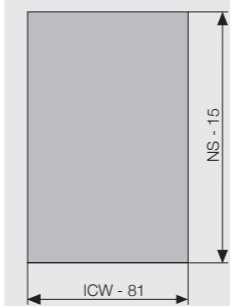
A	Metal Back Panel
---	------------------

For order requirements and color options please refer to the "Metal Back Panel Application" section on (Page 251)

Metal Back Panel Application



3. Wooden drawer Bottom



4. Metal Back Panel Side Panel H:48

Order Requirements:
1279032*MBW
To obtain your desired color please add one of the below-mentioned figures to the end of the seven-digit code.
1= White 3= Gray
Calculation for 18 mm thick side panels
Example for cabinet width of 600 mm
Internal Cabinet Width= 564 mm
MBW= 564 mm - 29 mm= 535 mm
Order: 12790321535
Color MBW
*Special order of metal back panels can be made for drawers with wooden side panel thickness other than 18 mm

Metal Back Panel Side Panel H:48	NOMINAL SIZE	White	GRAY	PACKAGING
300 mm	12790321235	12790323235		25 Pcs
450 mm	12790321385	12790323385		25 Pcs
500 mm	12790321435	12790323435		25 Pcs
600 mm	12790321535	12790323535		10 Pcs
800 mm	12790321735	12790323735		10 Pcs
900 mm	12790321835	12790323835		10 Pcs
1200 mm	127903211135	127903231135		10 Pcs

Basic package
-Smart Box Slide Right-Left
-Smart Box Side Right-Left
-Back Panel Holder without Gallery Railing Right-Left
-Front Connection Panel 2 Pieces
-Decorative Covers 2 Pieces

1= White 3= Gray
Colors can be chosen by adding the number of the color you desire instead of the (*) sign. Example: For 40 kg, 500 mm White drawer (16 mm) =127139261

Calculation Method for Front Panel Dimensions: Cut Measurement = Internal Cabinet Width - 99

Recommended Screws
Ø3,5x16 mm Chipboard Screw
Ø6,1x11,5 mm Euro Screw

*All dimensions in the graphs above are measured in mm.