

- Improved soft closing system guarantees smooth running
- Dynamic load capacity: 40 and 65 Kg
- ± 2 mm vertical and ± 1,5 mm horizontal adjustment
- Finish: White and Gray
- 180 mm casing height
- Wooden backboard thickness: 16 mm
- Drawer Length for 40 Kg: 270/300/350/400/450/500/550/600/650 mm
- Drawer Length for 65 kg: 450/500/550/600/650 mm
- Smart-Click: Tool free assembly and removal of front panel
- Smart-Fit: Simple and tool free assembly, as well as removal of drawer
- The improved stability guarantees a long product durability

Load Capacity 40 kg	1	Smart Box	Basic package
NOMINAL SIZE	CODE	16 mm	PACKAGING
270 mm	12714721*		4 Set/Box
300 mm	12714722*		4 Set/Box
350 mm	12714723*		4 Set/Box
400 mm	12714724*		4 Set/Box
450 mm	12714725*		4 Set/Box
500 mm	12714726*		4 Set/Box
550 mm	12714727*		4 Set/Box
600 mm	12714728*		4 Set/Box
650 mm	12714729*		4 Set/Box

2	Back Panel Holder	Side Panel H:112 **	
COLOR	CODE	16 mm	PACKAGING
White	12792041		20 Set
Gray	12792043		20 Set

** Gallery Railing Holders are included

3	Gallery Railing Bar	Standart	* Optional	
NOMINAL SIZE	PACKAGING	CODE	CODE *Screw	CODE * Dowel
270 mm	20 Set	12790141*	127901851*	127901861*
300 mm	20 Set	12790142*	127901852*	127901862*
350 mm	20 Set	12790143*	127901853*	127901863*
400 mm	20 Set	12790144*	127901854*	127901864*
450 mm	20 Set	12790145*	127901855*	127901865*
500 mm	20 Set	12790146*	127901856*	127901866*
550 mm	20 Set	12790147*	127901857*	127901867*
600 mm	20 Set	12790148*	127901858*	127901868*
650 mm	20 Set	12790149*	127901859*	127901869*

Load Capacity 65 kg	1	Smart Box	Basic package
NOMINAL SIZE	CODE	16 mm	PACKAGING
450 mm	12714925*		4 Set/Box
500 mm	12714926*		4 Set/Box
550 mm	12714927*		4 Set/Box
600 mm	12714928*		4 Set/Box
650 mm	12714929*		4 Set/Box

4 Side Panel

For order requirements and color options please refer to the "Side Panels" section on (Page 280-281)

A Metal Back Panel

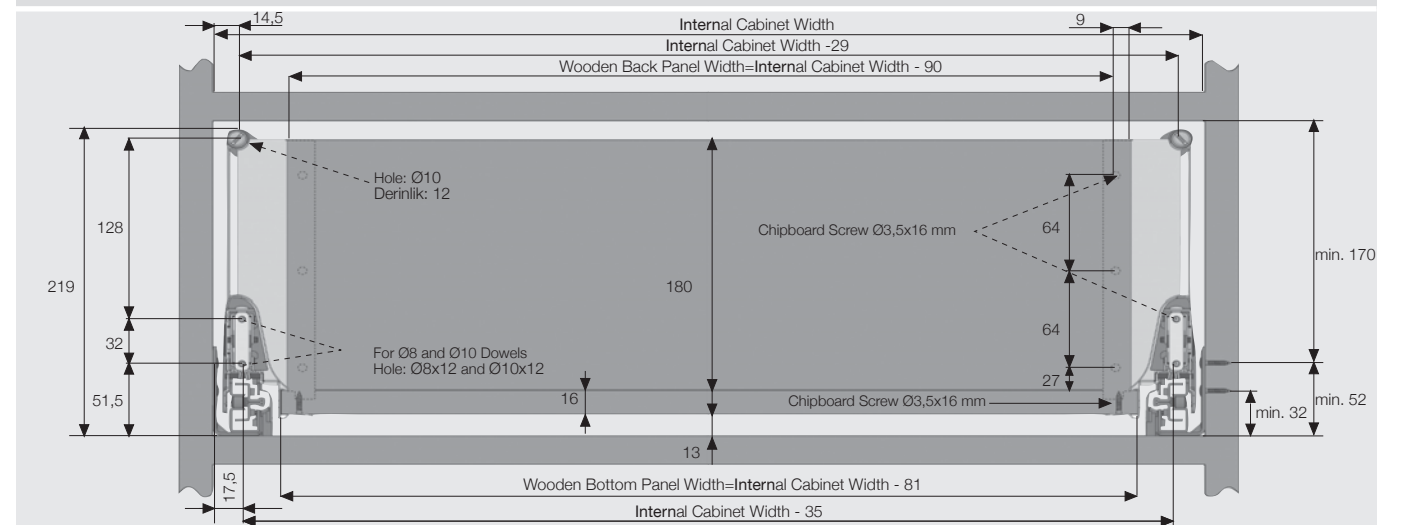
For order requirements and color options please refer to the "Metal Back Panel Application" section on (Page 243)

Basic package
-Smart Box Slide Right-Left
-Smart Box Side Right-Left
-Back Panel Holder without Gallery Railing Right-Left
-Front Connection Panel 2 Pieces
-Decorative Covers 2 Pieces

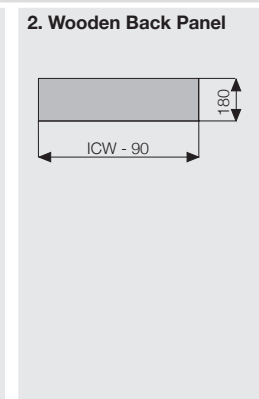
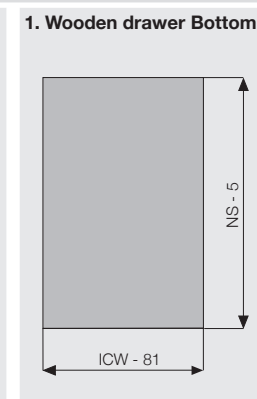
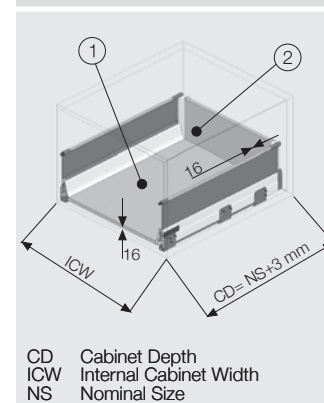
* Easy mounting gallery railings; They can not be used at In-Box drawer applications.

1= White 3= Gray
Colors can be chosen by adding the number of the color you desire instead of the (*) sign. Example:
For 40 kg, 500 mm White drawer (16 mm) =127139261

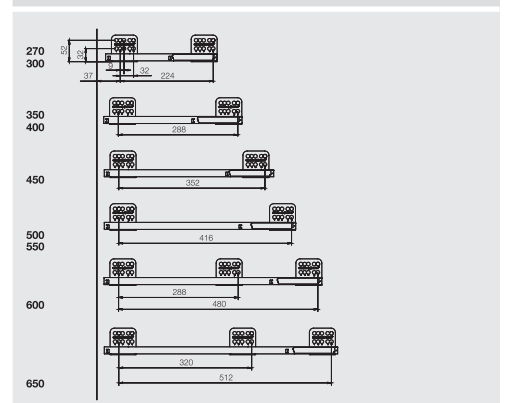
Slide Mounting Dimensions



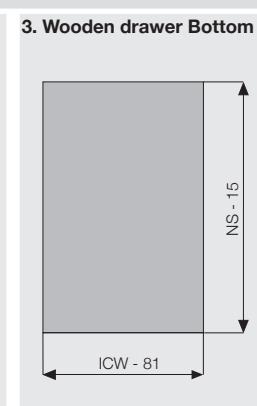
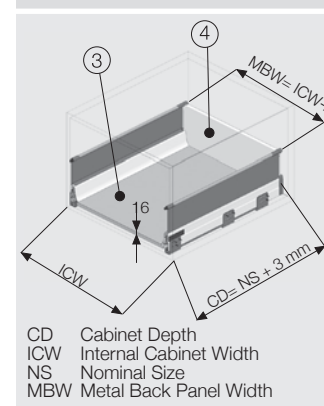
Wooden Back Panel Application



Slide Screw Location



Metal Back Panel Application



4. Metal Back Panel Side Panel H:112

Order Requirements: 1279034*MBW
To obtain your desired color please add one of the below-mentioned figures to the end of the seven-digit code.
1= White 3= Gray
Calculation for 18 mm thick side panels
Example for cabinet width of 600 mm
Internal Cabinet Width= 564 mm
MBW= 564 mm - 29 mm= 535 mm
Order: 12790341535

Color MBW

*Special order of metal back panels can be made for drawers with wooden side panel thickness other than 18 mm

Metal Back Panel Side Panel H:112	White	GRAY	PACKAGING
NOMINAL SIZE			
300 mm	12790341235	12790343235	25 Pcs
450 mm	12790341385	12790343385	25 Pcs
500 mm	12790341435	12790343435	25 Pcs
600 mm	12790341535	12790343535	10 Pcs
800 mm	12790341735	12790343735	10 Pcs
900 mm	12790341835	12790343835	10 Pcs
1200 mm	12790341135	12790343135	10 Pcs

Recommended Screws	
Ø3,5x16 mm Chipboard Screw	
Ø6,1x11,5 mm Euro Screw	

*All dimensions in the graphs above are measured in mm.