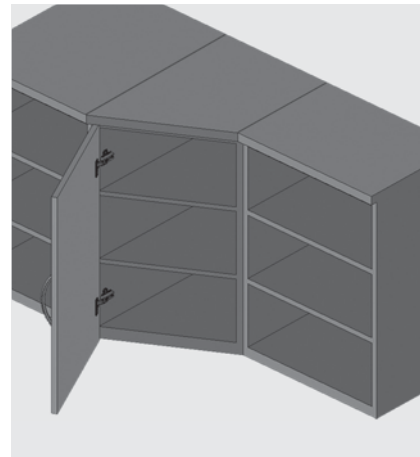




- Opening Angle : 110°
- Cup Diameter : 35 mm
- Cup Depth : 11,2 mm
- Hinge Body : Zamac
- Hinge Cup : Steel
- Finish : Nickel
- Packaging : 125 Pieces



### Star Hinge -30°

Code List According to Cup Connection Types

DEFINITION	CODE
Chipboard Screw 45 mm	1017071
Ø 8 Dowel 45 mm	1017681
Ø10 Dowel 45 mm	1017691
Euro Screw 45 mm	1017701
Spax Screw 45 mm	1017791
Chipboard Screw 48 mm	1017072
Ø8 Dowel 48 mm	1017682
Ø10 Dowel 48 mm	1017692
Euro Screw 48 mm	1017702
Spax Screw 48 mm	1017792
Chipboard Screw 52 mm	1017073
Ø8 Dowel 52 mm	1017683
Ø10 Dowel 52 mm	1017693
Euro Screw 52 mm	1017703
Spax Screw 52 mm	1017793

### Screw Options

Ø3,5x16 mm Countersunk Headed Screw	
Spax Screw	
Euro Screw	
Ø8-10 mm Plastic Dowel	

### Star Revers Spring Hinge -30°

Code List According to Cup Connection Types

DEFINITION	CODE
Chipboard Screw 45 mm	101700712
Ø 8 Dowel 45 mm	1017007121
Ø10 Dowel 45 mm	1017007122
Euro Screw 45 mm	1017007123
Spax Screw 45 mm	1017007124
Chipboard Screw 48 mm	101700722
Ø8 Dowel 48 mm	1017007221
Ø10 Dowel 48 mm	1017007222
Euro Screw 48 mm	1017007223
Spax Screw 48 mm	1017007224
Chipboard Screw 52 mm	101700732
Ø8 Dowel 52 mm	1017007321
Ø10 Dowel 52 mm	1017007322
Euro Screw 52 mm	1017007323
Spax Screw 52 mm	1017007324

### Star Push-Open -30° Hinge without Spring

Code List According to Cup Connection Types

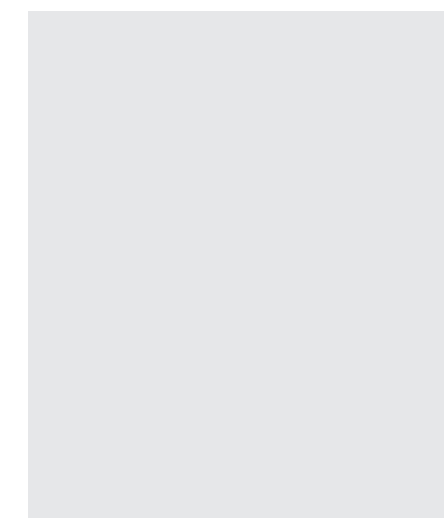
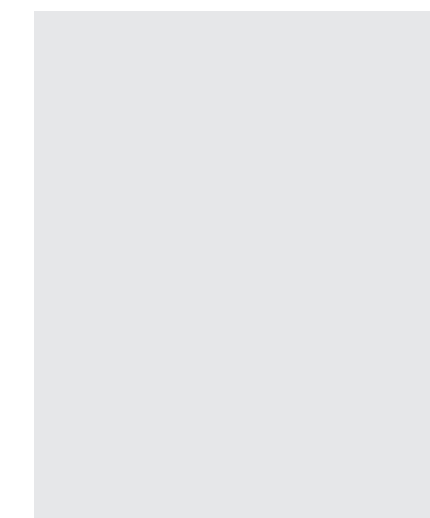
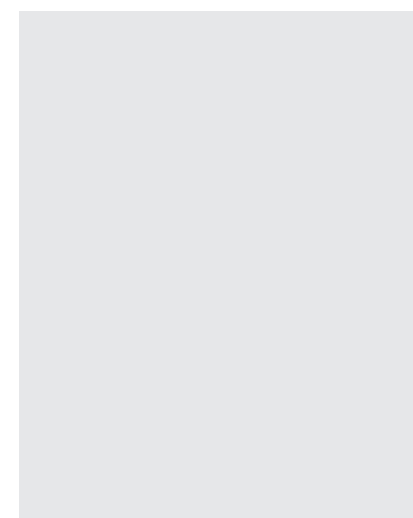
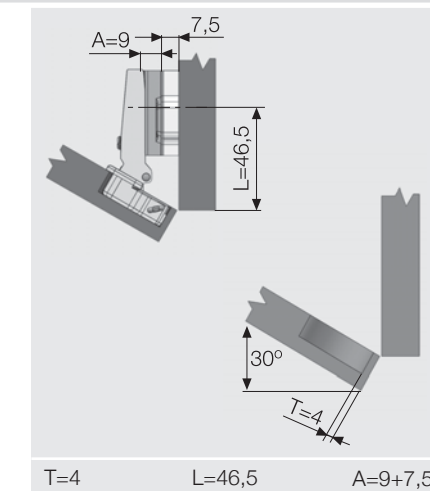
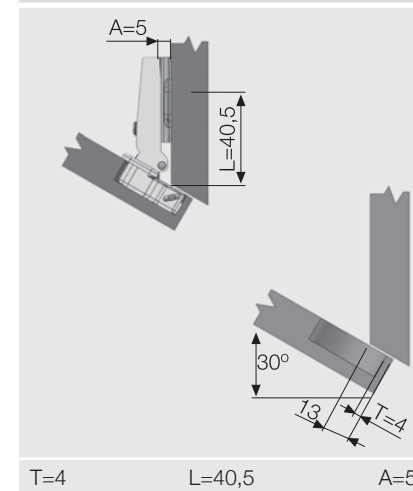
DEFINITION	CODE
Chipboard Screw 45 mm	101700812
Ø 8 Dowel 45 mm	1017008121
Ø10 Dowel 45 mm	1017008122
Euro Screw 45 mm	1017008123
Spax Screw 45 mm	1017008124
Chipboard Screw 48 mm	101700822
Ø8 Dowel 48 mm	1017008221
Ø10 Dowel 48 mm	1017008222
Euro Screw 48 mm	1017008223
Spax Screw 48 mm	1017008224
Chipboard Screw 52 mm	101700832
Ø8 Dowel 52 mm	1017008321
Ø10 Dowel 52 mm	1017008322
Euro Screw 52 mm	1017008323
Spax Screw 52 mm	1017008324

### Page Directions

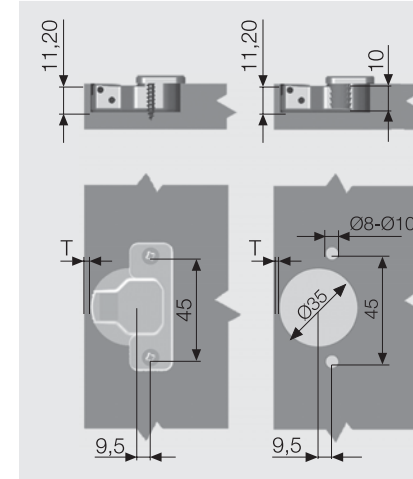
Mounting Plates	page 170
Mechanisms	page 192
Distances	page 212
Decorative Covers	page 218
Assembly	page 224
Dimension Charts and Symbols	page 226

### Application Alternatives

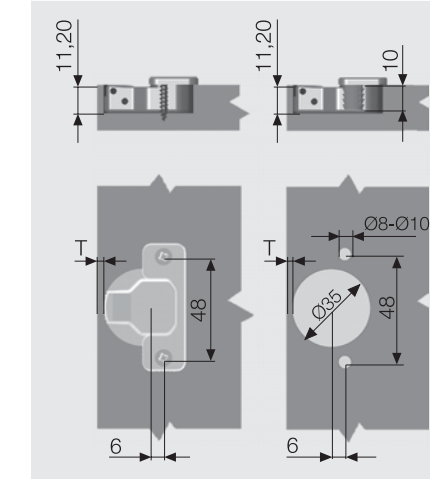
If angles of a width between (+5°) and (-5°) are needed to be applied, please refer to page 212.



### Cup Dimensions 45 mm



### Cup Dimensions 48 mm



### Cup Dimensions 52 mm

