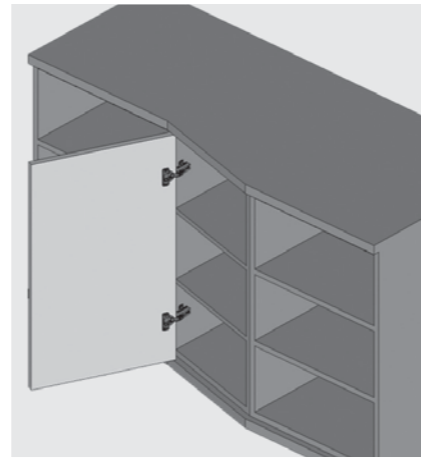


- Opening Angle : 110°
- Cup Diameter : 35 mm
- Cup Depth : 11,2 mm
- Hinge Body : Zamac
- Hinge Cup : Steel
- Finish : Nickel
- Packaging : 125 Pieces



Star Hinge 30°

Code List According to Cup Connection Types

DEFINITION	CODE
Chipboard Screw 45 mm	1017051
Ø 8 Dowel 45 mm	1017401
Ø10 Dowel 45 mm	1017491
Euro Screw 45 mm	1017501
Spax Screw 45 mm	1017671
Chipboard Screw 48 mm	1017052
Ø8 Dowel 48 mm	1017402
Ø10 Dowel 48 mm	1017492
Euro Screw 48 mm	1017502
Spax Screw 48 mm	1017672
Chipboard Screw 52 mm	1017053
Ø8 Dowel 52 mm	1017403
Ø10 Dowel 52 mm	1017493
Euro Screw 52 mm	1017503
Spax Screw 52 mm	1017673

Screw Options

Ø3,5x16 mm Countersunk Headed Screw	
Spax Screw	
Euro Screw	
Ø8-10 mm Plastic Dowel	

Star Push-Open Reverse Spring Hinge 30°

Code List According to Cup Connection Types

DEFINITION	CODE
Chipboard Screw 45 mm	101700711
Ø 8 Dowel 45 mm	1017007111
Ø10 Dowel 45 mm	1017007112
Euro Screw 45 mm	1017007113
Spax Screw 45 mm	1017007114
Chipboard Screw 48 mm	101700721
Ø8 Dowel 48 mm	1017007211
Ø10 Dowel 48 mm	1017007212
Euro Screw 48 mm	1017007213
Spax Screw 48 mm	1017007214
Chipboard Screw 52 mm	101700731
Ø8 Dowel 52 mm	1017007311
Ø10 Dowel 52 mm	1017007312
Euro Screw 52 mm	1017007313
Spax Screw 52 mm	1017007314

Page Directions

Mounting Plates	page 170
Mechanisms	page 192
Distances	page 212
Decorative Covers	page 218
Assembly	page 224
Dimension Charts and Symbols	page 226

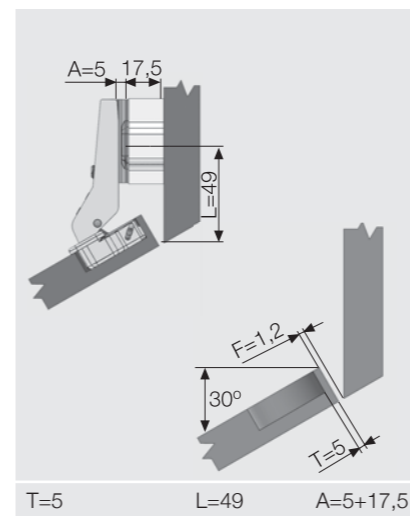
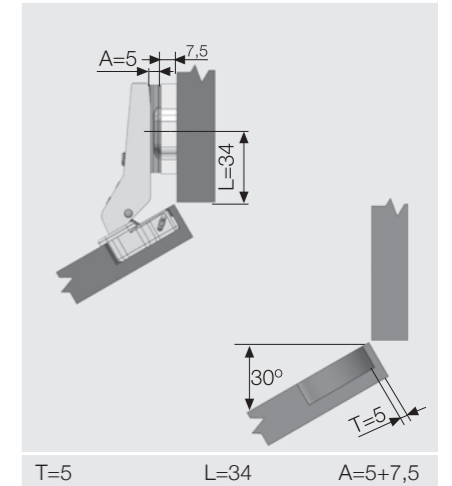
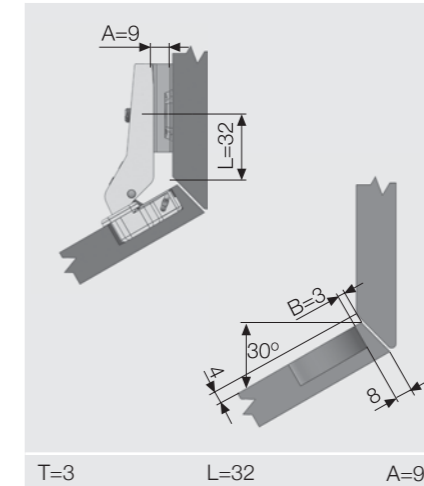
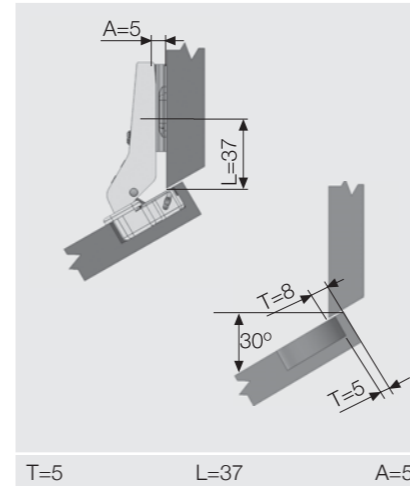
Star Push-Open Hinge 30° without Spring

Code List According to Cup Connection Types

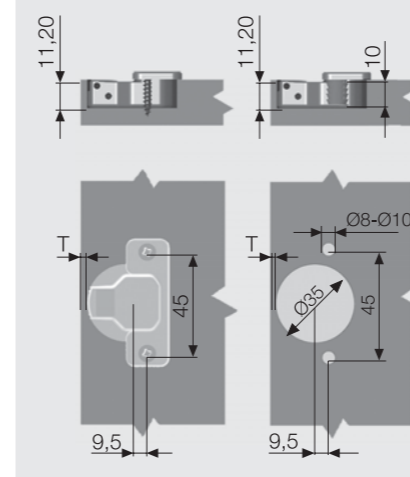
DEFINITION	CODE
Chipboard Screw 45 mm	101700811
Ø 8 Dowel 45 mm	1017008111
Ø10 Dowel 45 mm	1017008112
Euro Screw 45 mm	1017008113
Spax Screw 45 mm	1017008114
Chipboard Screw 48 mm	101700821
Ø8 Dowel 48 mm	1017008211
Ø10 Dowel 48 mm	1017008212
Euro Screw 48 mm	1017008213
Spax Screw 48 mm	1017008214
Chipboard Screw 52 mm	101700831
Ø8 Dowel 52 mm	1017008311
Ø10 Dowel 52 mm	1017008312
Euro Screw 52 mm	1017008313
Spax Screw 52 mm	1017008314

Application Alternatives

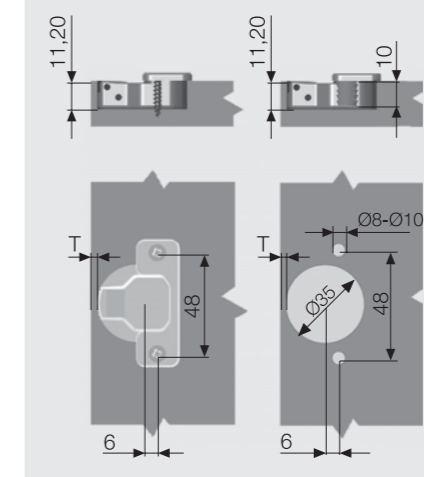
If angles of a width between (+5°) and (-5°) are needed to be applied, please refer to page 212.



Cup Dimensions 45 mm



Cup Dimensions 48 mm



Cup Dimensions 52 mm

