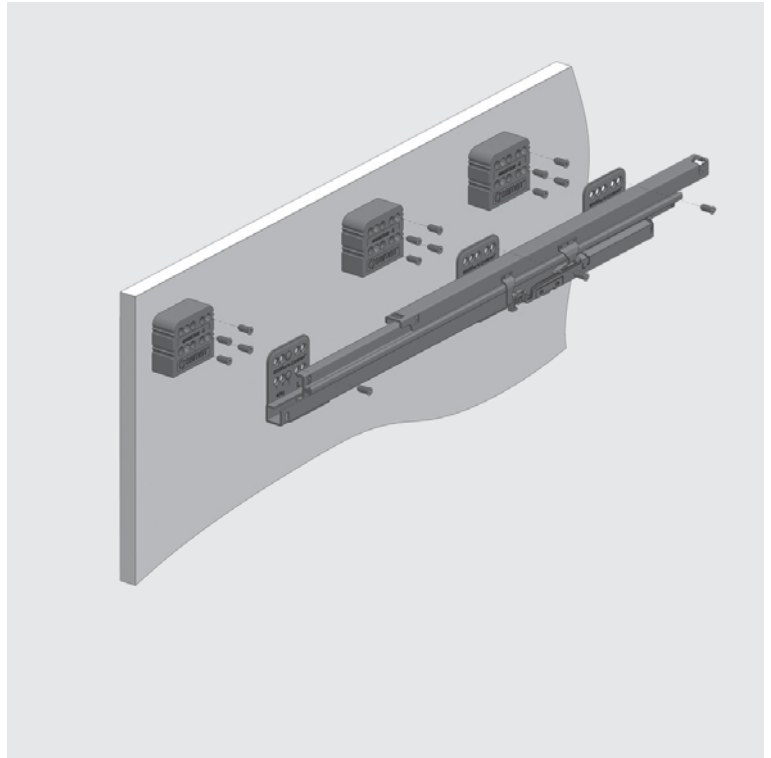


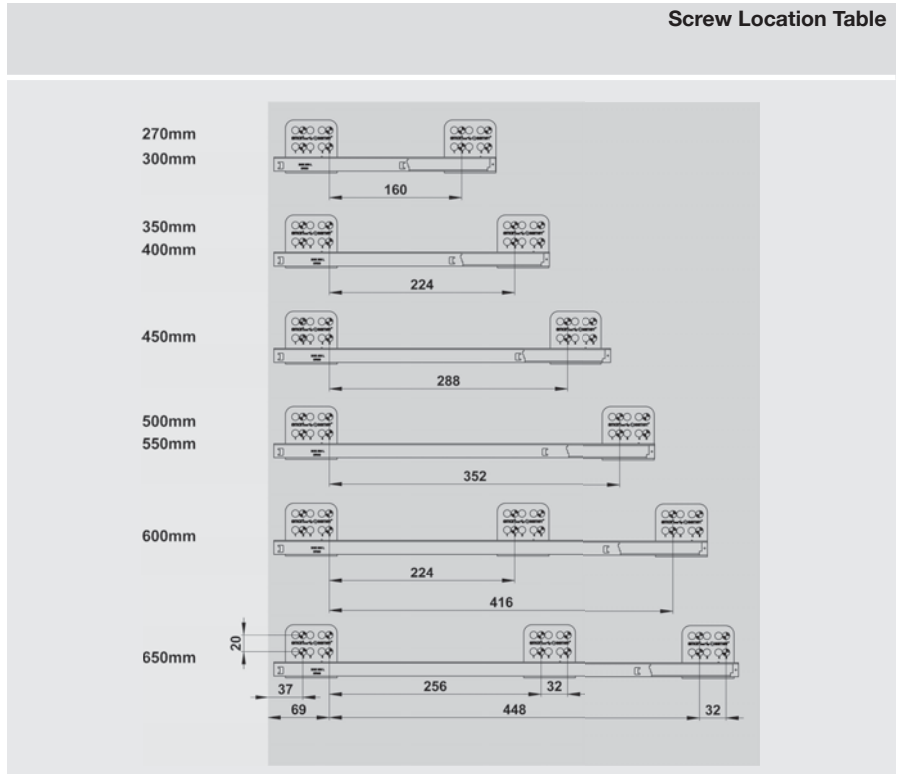
- Smart Box distance bracket is used for In-Box applications of Smart drawer slides.
- Ø6 mm Euro Screw is recommended to be used as fixing screw.
- When calculating the drawer dimensions the thickness of the distance bracket should be considered as S=25 mm.



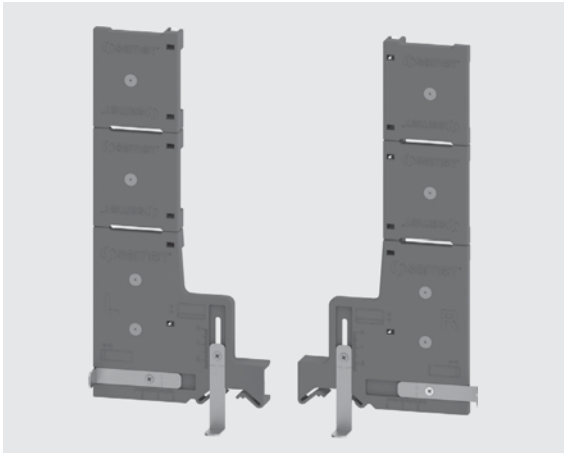
Distance Bracket

	CODE	COLOR	PACKAGING
Right	12790763	Gray	50 Pcs
Left	12790764	Gray	50 Pcs

Screw Location Table

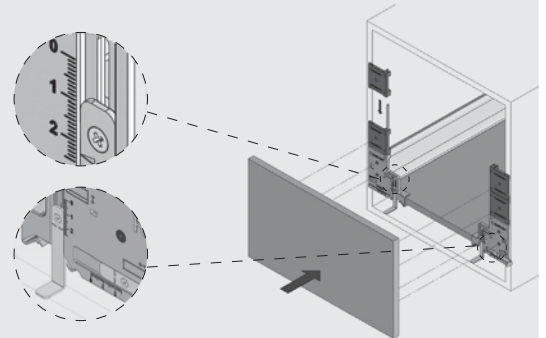


Smart Box Drawer Front Panel Marking Template

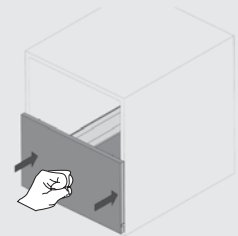


- This template provides direct application to mark the front panels of Smart Box drawers without any measurement.
- It can be used for drawers without, with single and with double gallery railing and side panel H:48 and H:112 models.
- Front panel can be horizontally and vertically adjusted on the template.

The vertical and horizontal adjustments are made as shown; by assembling the front panel marking template to the drawer in the cabinet.



Marking is done by hitting the front panel placed on the adjusted template.



**Drawer Front Panel Marking Template**

CODE	PACKAGING
12799908	1 Set-Box 10 Box-Crt.

