



- It provides to assemble short latch mechanism into cabinet.
- Applicable to adjust -1,5 mm to +4 mm for assembly erros.
- Packaging: 250 Adet
- Color : Gray



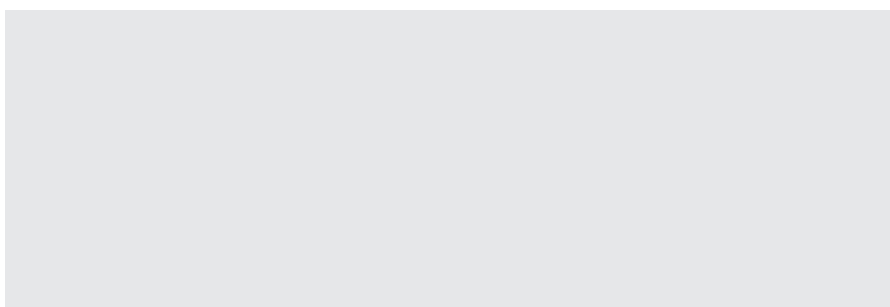
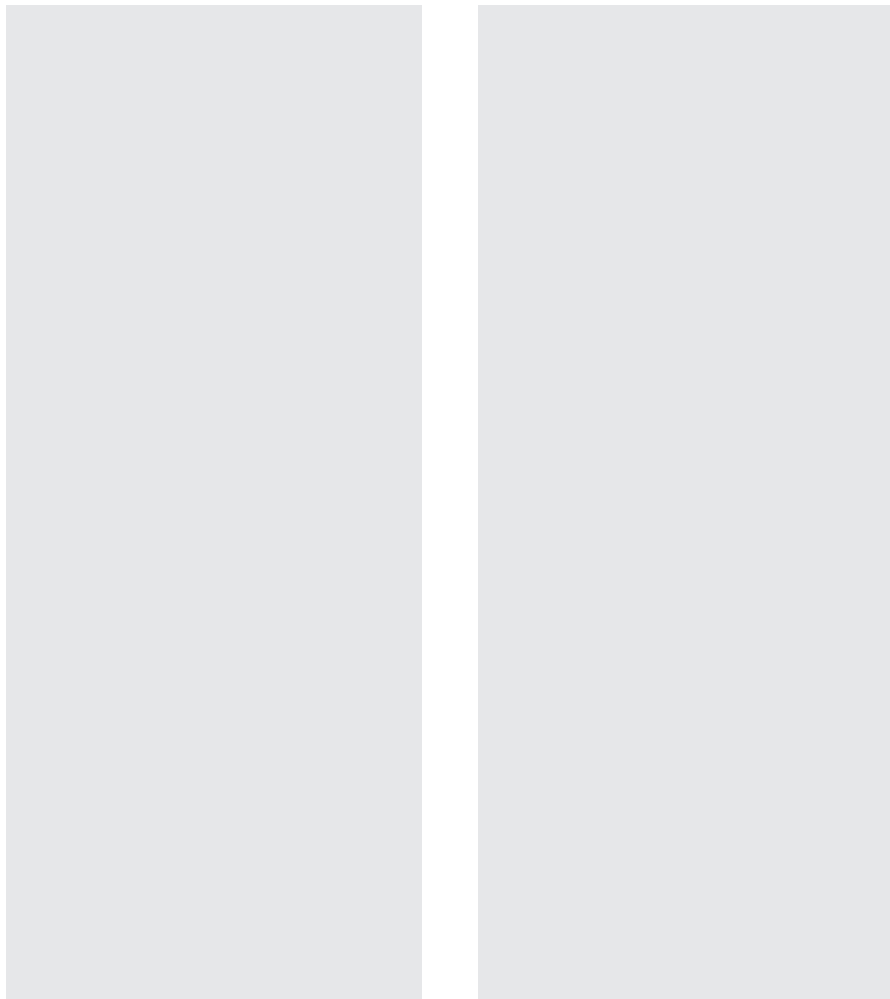
Push-Open Short Latch Adjustable Adaptor

Code List

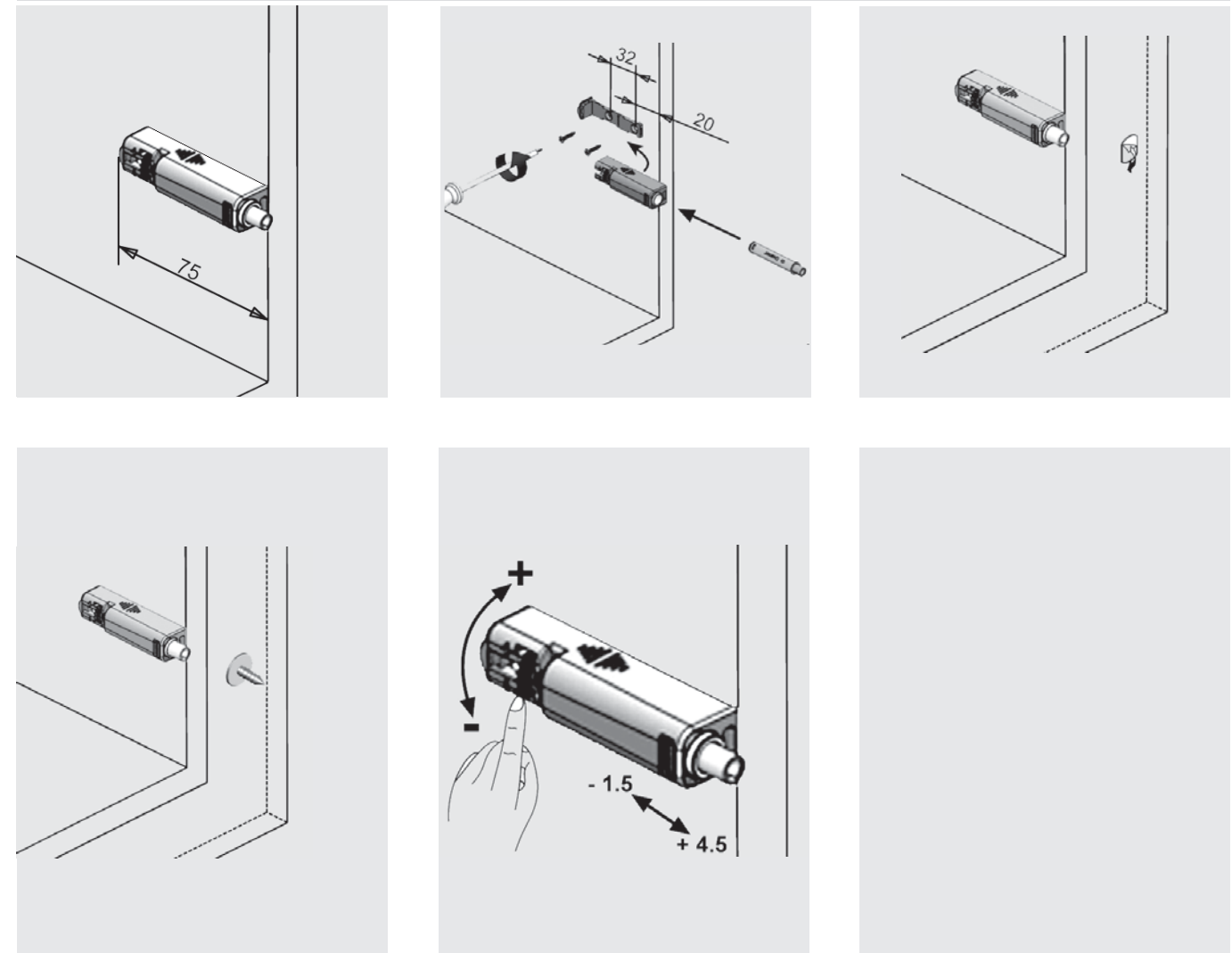
DEFINITION	CODE
Push-Open Short Latch Adjustable Adaptor	10299922

Screw Options

Ø3,5x16 mm Countersunk Headed Screw



Dimensions and Assembly





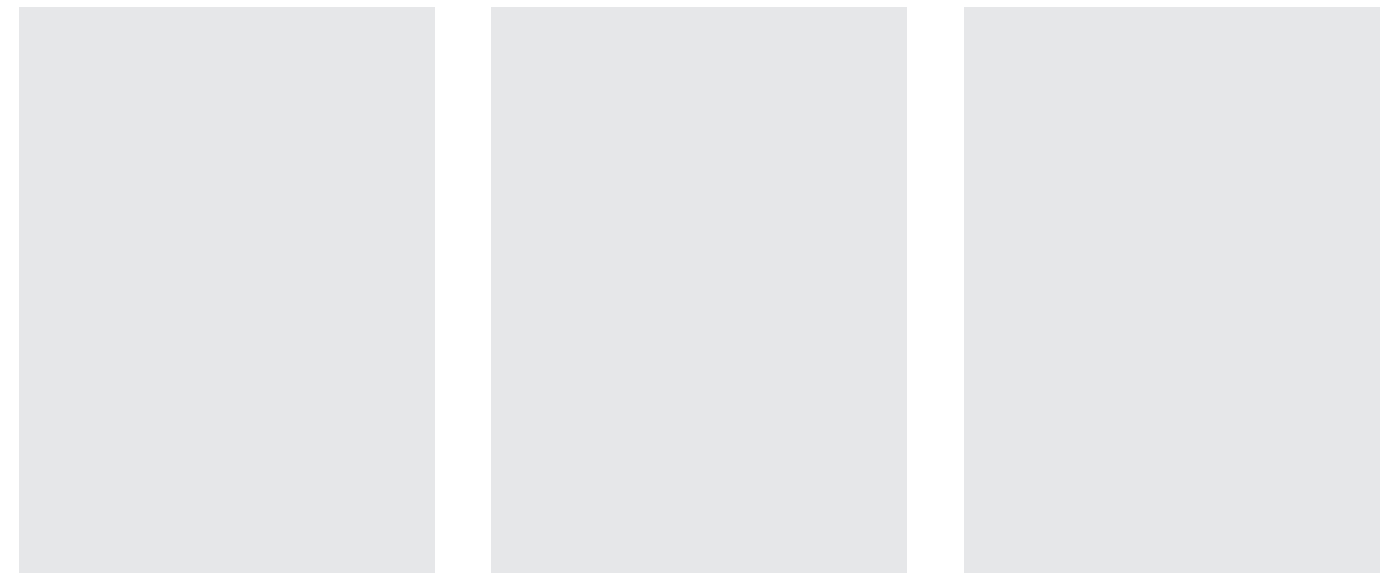
- Can be used with Standard Hinges or Hinges without Spring.
- Minimum gap 2,6 mm.
- Possibility to adjust for +4 mm to eliminate construction failures.
- Locking to avoid displacement of the adjustment control.
- Can be mounted inside the cabinet with the adaptor (10299921).
- It can be assembled by drilling on face of cabinet
- Packaging: 125 and 250 Pieces
- Color : Gray and Nickel



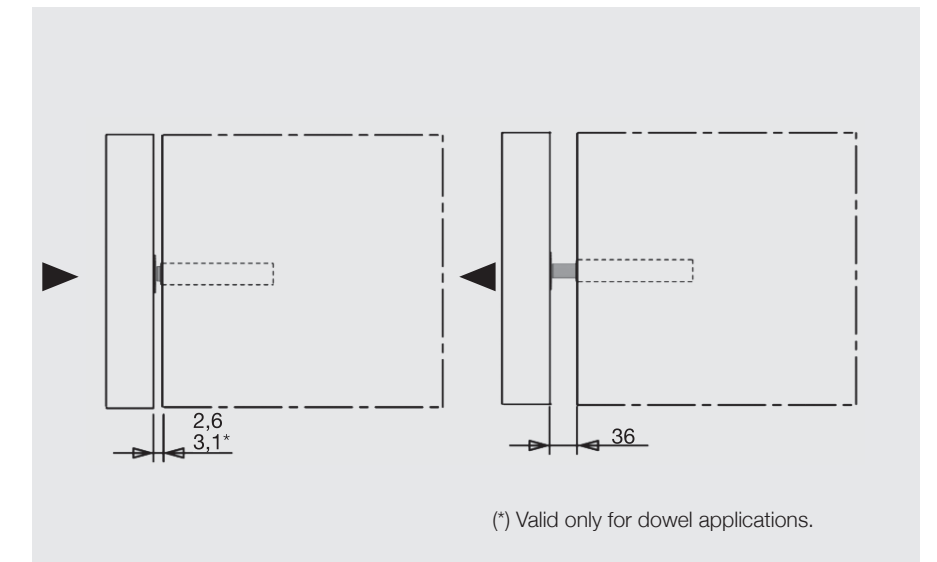
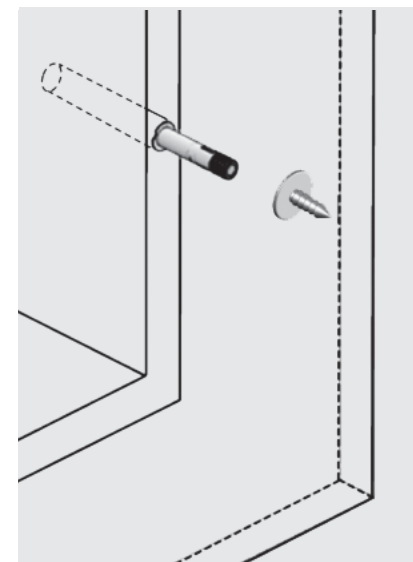
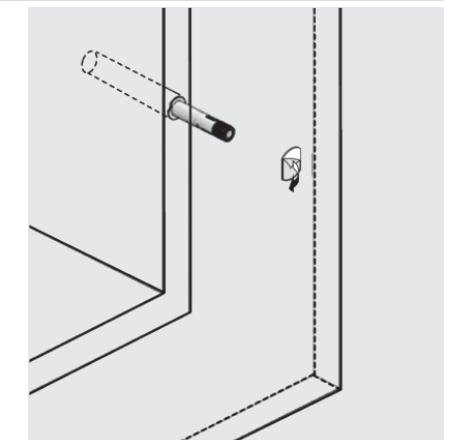
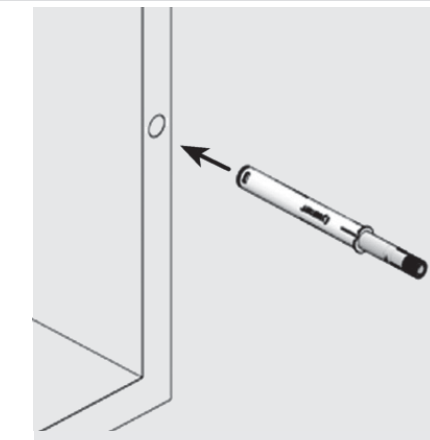
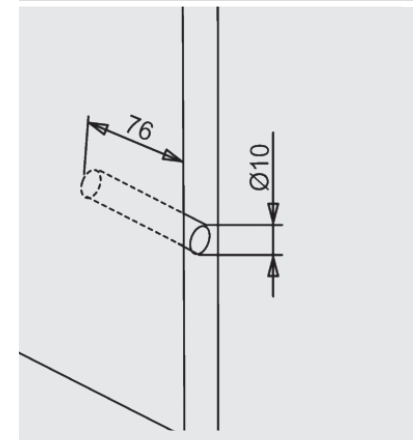
Push-Open Long Latch	
Code List	
DEFINITION	CODE
Push-Open Long Latch Counter Piece Gray 125	10299924

Push-Open Long Latch Counter Piece (Magnet)	
Code List	
DEFINITION	CODE
Push-Open Long Latch Counter Piece Nickel 250	10299923

Push-Open Long Latch Counter Piece with Dowel (Magnet)	
Code List	
DEFINITION	CODE
Push-Open Long Latch Counter Piece with Dowel Nickel 250	10299926



Dimensions and Assembly



(*) Valid only for dowel applications.