

- Improved soft closing system guarantees smooth running
- Dynamic load capacity: 40 and 65 Kg
- ± 2 mm vertical and ± 1,5 mm horizontal adjustment
- Finish: White and Gray
- 116 mm casing height
- Wooden backboard thickness: 16 mm
- Drawer Length for 40 Kg: 270/300/350/400/450/500/550/600/650 mm
- Drawer Length for 65 kg: 450/500/550/600/650 mm
- Smart-Click: Tool free assembly and removal of front panel
- Smart-Fit: Simple and tool free assembly, as well as removal of drawer
- The improved stability guarantees a long product durability

Load Capacity 40 kg		1 Smart Box Basic package	
NOMINAL SIZE	CODE 16 mm	PACKAGING	
270 mm	12714721*	4 Set/Box	
300 mm	12714722*	4 Set/Box	
350 mm	12714723*	4 Set/Box	
400 mm	12714724*	4 Set/Box	
450 mm	12714725*	4 Set/Box	
500 mm	12714726*	4 Set/Box	
550 mm	12714727*	4 Set/Box	
600 mm	12714728*	4 Set/Box	
650 mm	12714729*	4 Set/Box	

2 Back Panel Holder Single Gallery Railing**		
COLOR	CODE 16 mm	PACKAGING
White	12792021	20 Set
Gray	12792023	20 Set

\*\* Gallery Railing Holders are included

3 Gallery Railing Bar					
		Standart	* Optional (Easy Mounting Gallery Railings)		
NOMINAL SIZE	PACKAGING	CODE	CODE *Screw	CODE *Dowel	
270 mm	20 Set	12790141*	127901851*	127901861*	
300 mm	20 Set	12790142*	127901852*	127901862*	
350 mm	20 Set	12790143*	127901853*	127901863*	
400 mm	20 Set	12790144*	127901854*	127901864*	
450 mm	20 Set	12790145*	127901855*	127901865*	
500 mm	20 Set	12790146*	127901856*	127901866*	
550 mm	20 Set	12790147*	127901857*	127901867*	
600 mm	20 Set	12790148*	127901858*	127901868*	
650 mm	20 Set	12790149*	127901859*	127901869*	

Load Capacity 65 kg		1 Smart Box Basic package	
NOMINAL SIZE	CODE 16 mm	PACKAGING	
450 mm	12714925*	4 Set/Box	
500 mm	12714926*	4 Set/Box	
550 mm	12714927*	4 Set/Box	
600 mm	12714928*	4 Set/Box	
650 mm	12714929*	4 Set/Box	

**A Metal Back Panel**

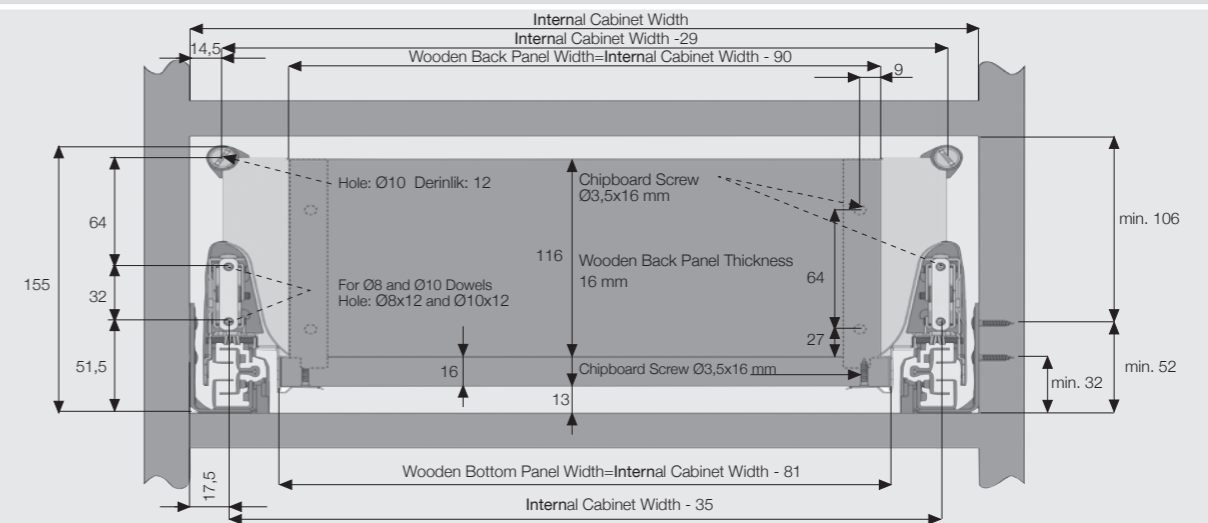
For order requirements and color options please refer to the **"Metal Back Panel Application"** section on (Page 237)

Basic package  
 -Smart Box Slide Right-Left  
 -Smart Box Side Right-Left  
 -Back Panel Holder without Gallery Railing Right-Left  
 -Front Connection Panel 2 Pieces  
 -Decorative Covers 2 Pieces

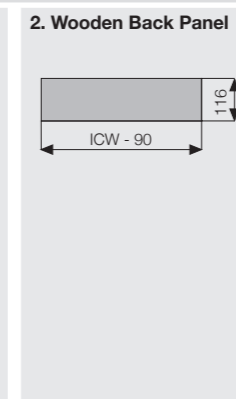
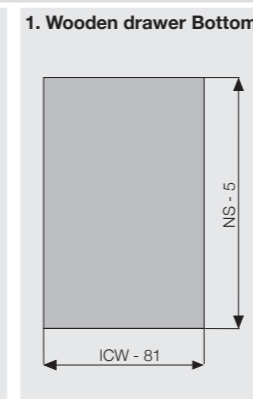
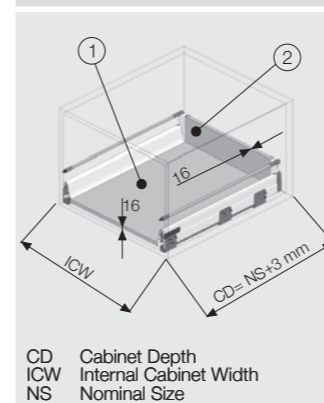
\* Easy mounting gallery railings; They can not be used at In-Box drawer applications.

1= White      3= Gray  
 Colors can be chosen by adding the number of the color you desire instead of the (\*) sign. Example: For 40 kg, 500 mm White drawer (16 mm) =127139261

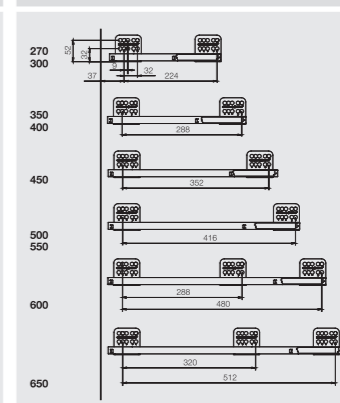
Slide Mounting Dimensions



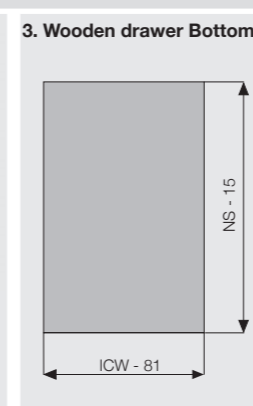
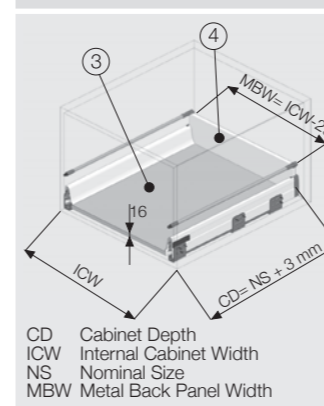
Wooden Back Panel Application



Slide Screw Location



Metal Back Panel Application



**4. Metal Back Panel Single Gallery Railing**

Order Requirements: 1279032\*MBW  
 To obtain your desired color please add one of the below-mentioned figures to the end of the seven-digit code.  
 1= White    3= Gray  
 Calculation for 18 mm thick side panels  
 Example for cabinet width of 600 mm  
 Internal Cabinet Width= 564 mm  
 MBW= 564 mm - 29 mm= 535 mm  
 Order: 12790321535

Color    MBW

\*Special order of metal back panels can be made for drawers with wooden side panel thickness other than 18 mm

Metal Back Panel Single Gallery Railing

NOMINAL SIZE	WHITE	GRAY	PACKAGING
300 mm	12790321235	12790323235	25 Pcs
450 mm	12790321385	12790323385	25 Pcs
500 mm	12790321435	12790323435	25 Pcs
600 mm	12790321535	12790323535	10 Pcs
800 mm	12790321735	12790323735	10 Pcs
900 mm	12790321835	12790323835	10 Pcs
1200 mm	127903211135	127903231135	10 Pcs

Recommended Screws

Ø3,5x16 mm Chipboard Screw

Ø6,1x11,5 mm Euro Screw

\*All dimensions in the graphs above are measured in mm.