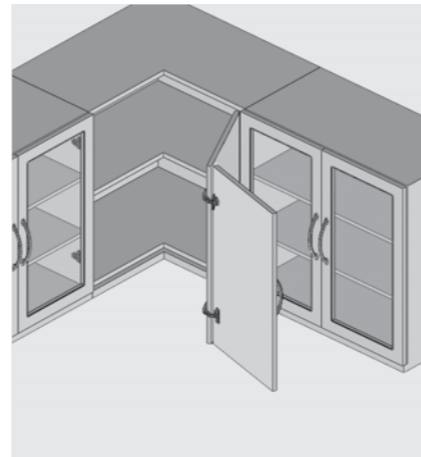




- Opening Angle : 160°
- Application with Star Track 165° Hinge and Star Hinge165° is recommended.
- Cup Diameter : 35 mm
- Cup Depth : 11,2 mm
- Hinge Body : Zamac
- Hinge Cup : Steel
- Finish : Nickel
- Packaging : 250 Pieces
- Tool free and simple assembling and disassembling of the cabinet doors. Only one touch on the Track mechanism is enough to release and fix the cabinet doors.



Star Track Folding Door Hinge

Code List According to Cup Connection Types

DEFINITION	CODE
Chipboard Screw 45 mm	1018061
Ø 8 Dowel 45 mm	1018901
Ø10 Dowel 45 mm	1018911
Euro Screw 45 mm	1018921
Spax Screw 45 mm	1018931
Chipboard Screw 48 mm	1018062
Ø8 Dowel 48 mm	1018902
Ø10 Dowel 48 mm	1018912
Euro Screw 48 mm	1018922
Spax Screw 48 mm	1018932
Chipboard Screw 52 mm	1018063
Ø8 Dowel 52 mm	1018903
Ø10 Dowel 52 mm	1018913
Euro Screw 52 mm	1018923
Spax Screw 52 mm	1018933

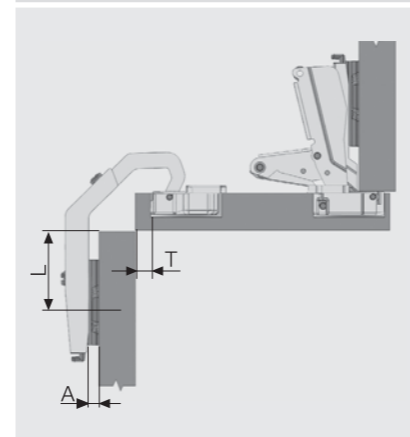
Screw Options

Ø3,5x16 mm Countersunk Headed Screw	
Spax Screw	
Euro Screw	
Ø8-10 mm Plastic Dowel	

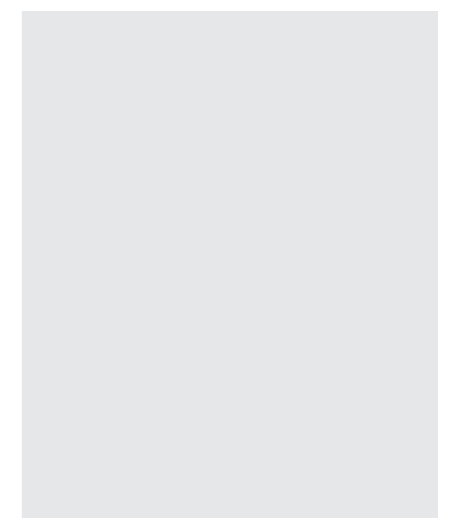
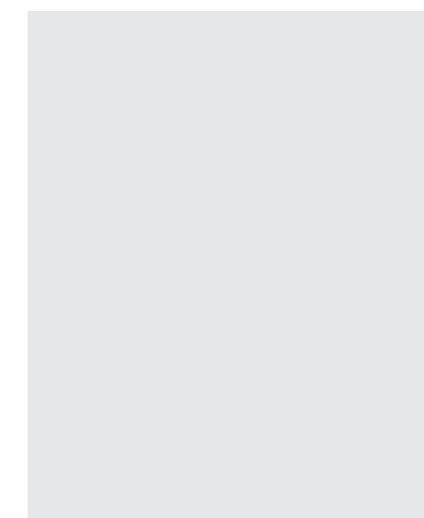
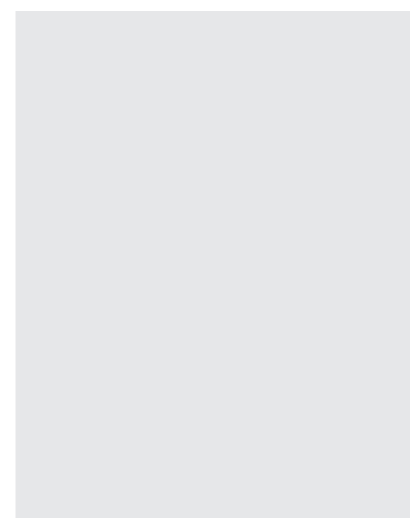
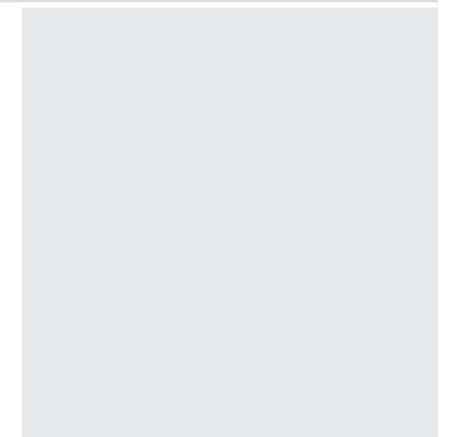
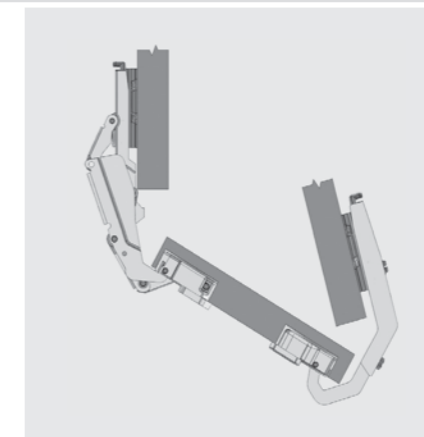
Page Directions

Mounting Plates	page 170
Mechanisms	page 192
Distances	page 212
Decorative Covers	page 218
Assembly	page 224
Dimension Charts and Symbols	page 226

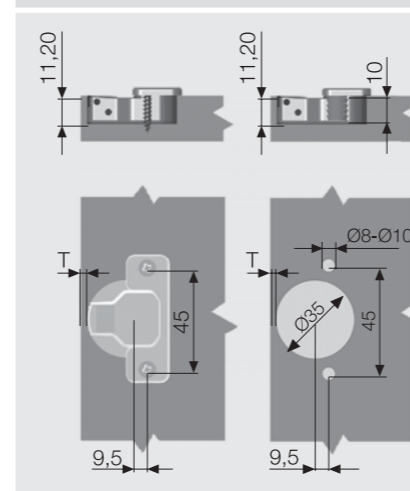
Application Alternatives



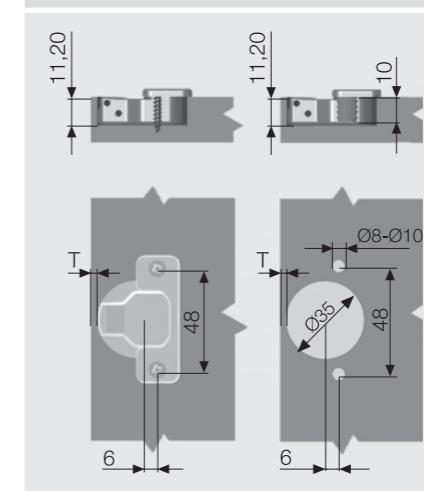
T=5 L=37 A=5



Cup Dimensions 45 mm



Cup Dimensions 48 mm



Cup Dimensions 52 mm

