

- Esthetic steel appearance
- Automatic closure system at a 70 mm opening length
- Drawer Length: 400/450/500/550 mm
- Finish: Electrostatic (White, Cream, Metallic and Gray)
- Silent running wheel system
- The improved stability guarantees a long product durability
- Dynamic load capacity: 25 Kg
- Safety system to avoid derailing
- Vertical and horizontal adjustment opportunity
- ±1,5 mm horizontal and ±1 mm vertical adjustment opportunity.

1-2 Drawer Set

NOMINAL SIZE	CODE	MODEL	COLOR	PACKAGING
300 mm	1121221	Without Claw	White	5 Set/Crt.
300 mm	1120221	With Claw	White	5 Set/Crt.
300 mm	1121222	Without Claw	Biege	5 Set/Crt.
300 mm	1120222	With Claw	Biege	5 Set/Crt.
300 mm	1121223	Without Claw	M. Gray	5 Set/Crt.
300 mm	1120223	With Claw	M. Gray	5 Set/Crt.
350 mm	1121231	Without Claw	White	5 Set/Crt.
350 mm	1120231	With Claw	White	5 Set/Crt.
350 mm	1121232	Without Claw	Biege	5 Set/Crt.
350 mm	1120232	With Claw	Biege	5 Set/Crt.
350 mm	1121233	Without Claw	M. Gray	5 Set/Crt.
350 mm	1120233	With Claw	M. Gray	5 Set/Crt.
400 mm	1121241	Without Claw	White	5 Set/Crt.
400 mm	1120241	With Claw	White	5 Set/Crt.
400 mm	1121242	Without Claw	Biege	5 Set/Crt.
400 mm	1120242	With Claw	Biege	5 Set/Crt.
400 mm	1121243	Without Claw	M. Gray	5 Set/Crt.
400 mm	1120243	With Claw	M. Gray	5 Set/Crt.

1-2 Drawer Set

NOMINAL SIZE	CODE	MODEL	COLOR	PACKAGING
450 mm	1121251	Without Claw	White	5 Set/Crt.
450 mm	1120251	With Claw	White	5 Set/Crt.
450 mm	1121252	Without Claw	Biege	5 Set/Crt.
450 mm	1120252	With Claw	Biege	5 Set/Crt.
450 mm	1121253	Without Claw	M. Gray	5 Set/Crt.
450 mm	1120253	With Claw	M. Gray	5 Set/Crt.
500 mm	1121261	Without Claw	White	5 Set/Crt.
500 mm	1120261	With Claw	White	5 Set/Crt.
500 mm	1121262	Without Claw	Biege	5 Set/Crt.
500 mm	1120262	With Claw	Biege	5 Set/Crt.
500 mm	1121263	Without Claw	M. Gray	5 Set/Crt.
500 mm	1120263	With Claw	M. Gray	5 Set/Crt.
550 mm	1121271	Without Claw	White	5 Set/Crt.
550 mm	1120271	With Claw	White	5 Set/Crt.
550 mm	1121272	Without Claw	Biege	5 Set/Crt.
550 mm	1120272	With Claw	Biege	5 Set/Crt.
550 mm	1121273	Without Claw	M. Gray	5 Set/Crt.
550 mm	1120273	With Claw	M. Gray	5 Set/Crt.

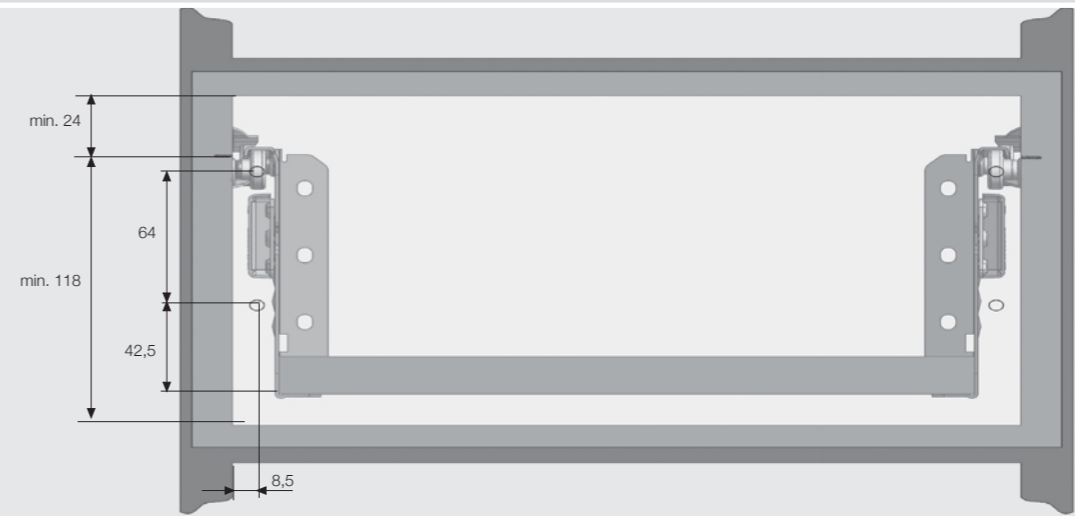
3 Decorative Cover

MATERIAL	CODE	COLOR	PACKAGING
Plastic	1121821	White	200 Pcs/Box
Plastic	1121822	Biege	200 Pcs/Box
Plastic	1121823	M. Gray	200 Pcs/Box

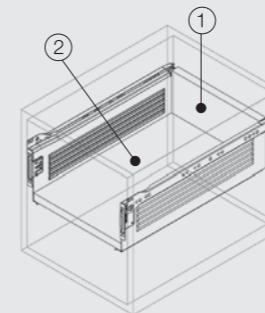
4 Connection Fitting

MATERIAL	CODE	MODEL	COLOR	PACKAGING
Steel	1121819	Countersunk	Nickel	200 Pcs/Box
Steel	1121812	Ø8 mm	Nickel	200 Pcs/Box
Steel	1121813	Ø10 mm	Nickel	200 Pcs/Box

Slide Mounting Dimensions



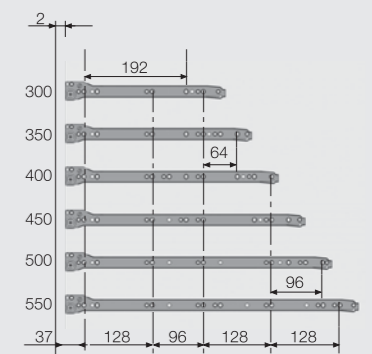
Formulas to Compute Dimensions



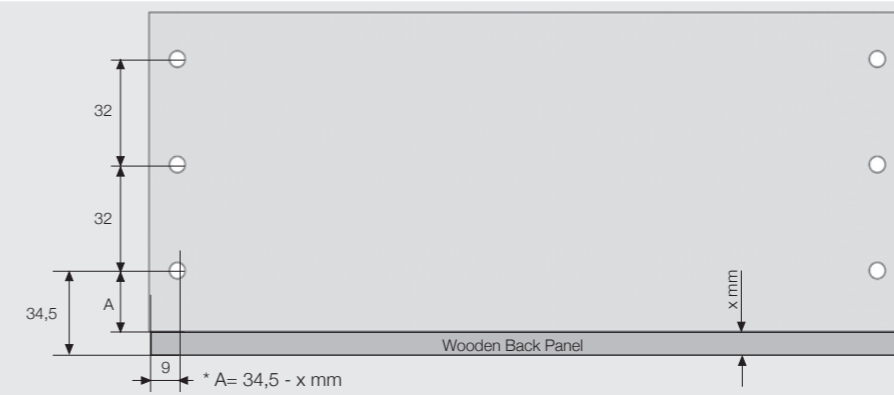
①
Drawer Back Panel Width= Internal Cabinet Width - 31mm
Drawer Back Panel Height= Minimum 103 mm
(For 16 mm wooden bottom panel.)

②
Drawer Wooden Floor Width = Internal Cabinet Width - 31 mm
Drawer Wooden Floor Length = Side Length - 1 mm

Slide Screw Location



Wooden Back Panel Application



Recommended Screws

Ø3,5x16 mm Chipboard Screw



Ø6,1x11,5 mm Euro Screw



*All dimensions in the graphs above are measured in mm.