

- Esthetic steel appearance
- Automatic closure system at a 70 mm opening length
- Drawer Length: 400/450/500/550 mm
- Finish: Electrostatic (White, Cream, Metallic and Gray)
- Silent running wheel system
- The improved stability guarantees a long product durability
- Dynamic load capacity: 25 Kg
- Safety system to avoid derailing
- Vertical and horizontal adjustment opportunity
- ±1,5 mm horizontal and ±1 mm vertical adjustment opportunity.

1-2 Drawer Set

NOMINAL SIZE	CODE	MODEL	COLOR	PACKAGING
250 mm	1121111	Without Claw	White	10 Set/Crt.
250 mm	1120111	With Claw	White	10 Set/Crt.
250 mm	1121112	Without Claw	Biege	10 Set/Crt.
250 mm	1120112	With Claw	Biege	10 Set/Crt.
250 mm	1121113	Without Claw	M. Gray	10 Set/Crt.
250 mm	1120113	With Claw	M. Gray	10 Set/Crt.
300 mm	1121121	Without Claw	White	10 Set/Crt.
300 mm	1120121	With Claw	White	10 Set/Crt.
300 mm	1121122	Without Claw	Biege	10 Set/Crt.
300 mm	1120122	With Claw	Biege	10 Set/Crt.
300 mm	1121123	Without Claw	M. Gray	10 Set/Crt.
300 mm	1120123	With Claw	M. Gray	10 Set/Crt.
350 mm	1121131	Without Claw	White	10 Set/Crt.
350 mm	1120131	With Claw	White	10 Set/Crt.
350 mm	1121132	Without Claw	Biege	10 Set/Crt.
350 mm	1120132	With Claw	Biege	10 Set/Crt.
350 mm	1121133	Without Claw	M. Gray	10 Set/Crt.
350 mm	1120133	With Claw	M. Gray	10 Set/Crt.
400 mm	1121141	Without Claw	White	10 Set/Crt.
400 mm	1120141	With Claw	White	10 Set/Crt.
400 mm	1121142	Without Claw	Biege	10 Set/Crt.
400 mm	1120142	With Claw	Biege	10 Set/Crt.
400 mm	1121143	Without Claw	M. Gray	10 Set/Crt.
400 mm	1120143	With Claw	M. Gray	10 Set/Crt.

1-2 Drawer Set

NOMINAL SIZE	CODE	MODEL	COLOR	PACKAGING
450 mm	1121151	Without Claw	White	10 Set/Crt.
450 mm	1120151	With Claw	White	10 Set/Crt.
450 mm	1121152	Without Claw	Biege	10 Set/Crt.
450 mm	1120152	With Claw	Biege	10 Set/Crt.
450 mm	1121153	Without Claw	M. Gray	10 Set/Crt.
450 mm	1120153	With Claw	M. Gray	10 Set/Crt.
500 mm	1121161	Without Claw	White	10 Set/Crt.
500 mm	1120161	With Claw	White	10 Set/Crt.
500 mm	1121162	Without Claw	Biege	10 Set/Crt.
500 mm	1120162	With Claw	Biege	10 Set/Crt.
500 mm	1121163	Without Claw	M. Gray	10 Set/Crt.
500 mm	1120163	With Claw	M. Gray	10 Set/Crt.
550 mm	1121171	Without Claw	White	10 Set/Crt.
550 mm	1120171	With Claw	White	10 Set/Crt.
550 mm	1121172	Without Claw	Biege	10 Set/Crt.
550 mm	1120172	With Claw	Biege	10 Set/Crt.
550 mm	1121173	Without Claw	M. Gray	10 Set/Crt.
550 mm	1120173	With Claw	M. Gray	10 Set/Crt.

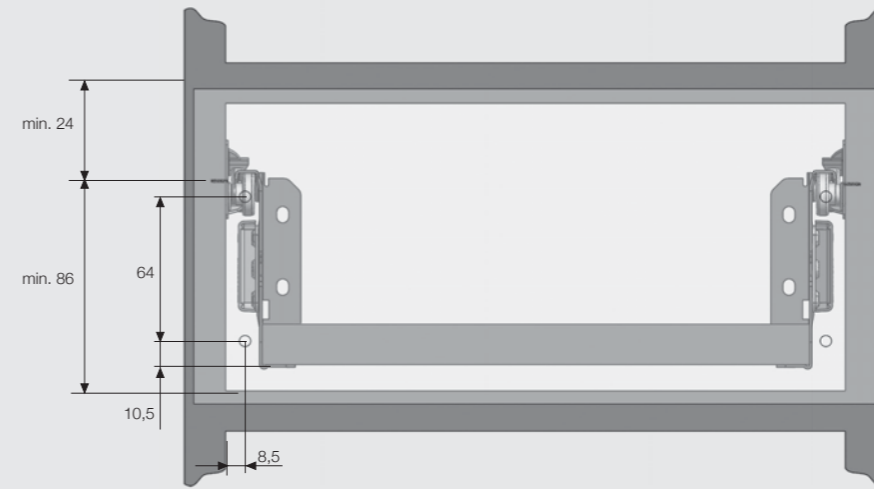
3 Decorative Cover

MATERIAL	CODE	COLOR	PACKAGING
Plastic	1121821	White	200 Pcs/Box
Plastic	1121822	Biege	200 Pcs/Box
Plastic	1121823	M. Gray	200 Pcs/Box

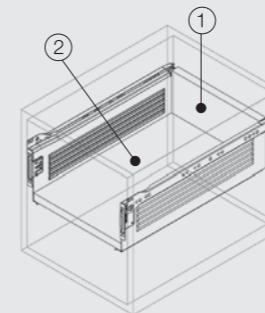
4 Connection Fitting

MATERIAL	CODE	MODEL	COLOR	PACKAGING
Steel	1121819	Countersunk	Nickel	200 Pcs/Box
Steel	1121812	Ø8 mm	Nickel	200 Pcs/Box
Steel	1121813	Ø10 mm	Nickel	200 Pcs/Box

Slide Mounting Dimensions

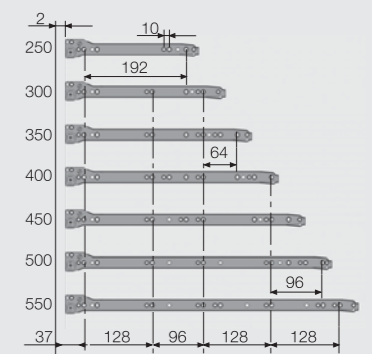


Formulas to Compute Dimensions

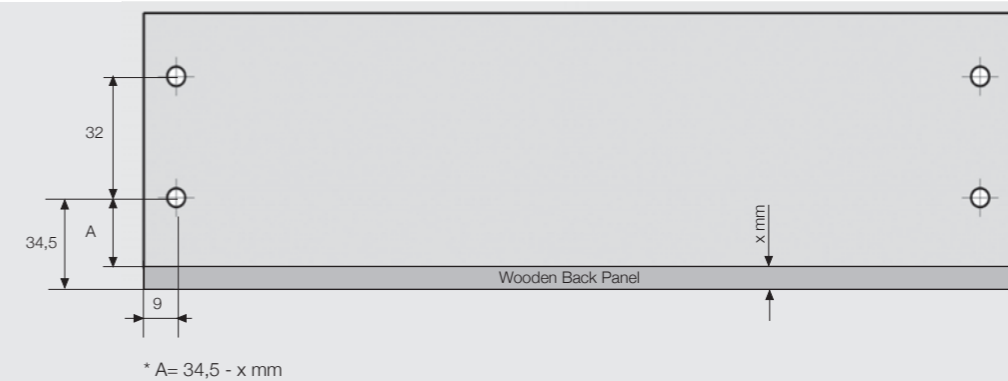


- ① Drawer Back Panel Width= Internal Cabinet Width - 31 mm
Drawer Back Panel Height= Minimum 71 mm
(For 16 mm wooden bottom panel.)
- ② Drawer Wooden Floor Width = Internal Cabinet Width - 31 mm
Drawer Wooden Floor Length = Side Length - 1 mm

Slide Screw Location



Wooden Back Panel Application



Recommended Screws

Ø3,5x16 mm Chipboard Screw



Ø6,1x11,5 mm Euro Screw



*All dimensions in the graphs above are measured in mm.