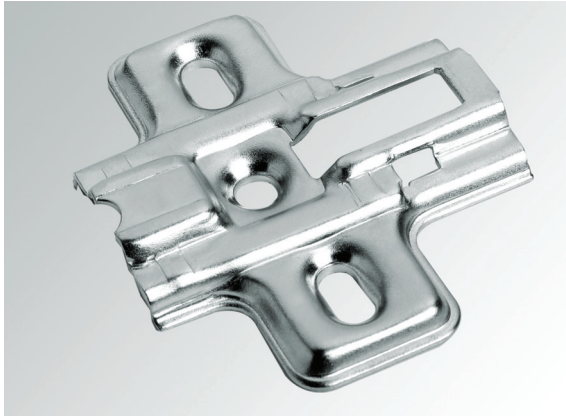


mounting plates

Star Track Hinge Mounting Plates



- Material: Steel
- It can be adjusted vertically.
- Coating: Nickel
- Packing: 250 Pieces

Star Track Hinge Mounting Plate 5 mm.

Description	Code L:37mm.	Code L:28mm.
Adjustable Steel	102611	102616
Steel with Euro Screw 6.3x14	102631	102658
Adjustable Steel with Euro Screw 6.3x10	102634	102661
Ø5 Pls. Dowel Steel	102646	102673
Ø8 Pls. Dowel Steel	102637	102652
Ø10 Pls. Dowel Steel	102649	102655
With Adjustable Ø10 Pls. Dowel (Double)	-	102688

Star Track Hinge Mounting Plate 6 mm.

Description	Code L:37mm.	Code L:28mm.
Adjustable Steel	102669	102674
Steel with Euro Screw 6.3x14	102667	102675
Adjustable Steel with Euro Screw 6.3x10	102668	102676
Ø5 Pls. Dowel Steel	102670	102677
Ø8 Pls. Dowel Steel	102671	102678
Ø10 Pls. Dowel Steel	102672	102679
With Adjustable Ø10 Pls. Dowel (Double)	-	-

Star Track Hinge Mounting Plate 7 mm.

Description	Code L:37mm.	Code L:28mm.
Adjustable Steel	102612	102617
Steel with Euro Screw 6.3x14	102632	102659
Adjustable Steel with Euro Screw 6.3x10	102635	102662
Ø5 Pls. Dowel Steel	102647	102680
Ø8 Pls. Dowel Steel	102638	102653
Ø10 Pls. Dowel Steel	102650	102656
With Adjustable Ø10 Pls. Dowel (Double)	-	102687

Star Track Hinge Mounting Plate 9 mm.

Description	Code L:37mm.	Code L:28mm.
Adjustable Steel	102613	102618
Steel with Euro Screw 6.3x14	102633	102660
Adjustable Steel with Euro Screw 6.3x10	102636	102663
Ø5 Pls. Dowel Steel	102648	102681
Ø8 Pls. Dowel Steel	102639	102654
Ø10 Pls. Dowel Steel	102651	102657
With Adjustable Ø10 Pls. Dowel (Double)	-	-

Recommended Screw

Ø3.5X16 mm. Countersunk Headed Screw



Ø10 Double Plastic Dowel



Euro Screw Ø6.3 x 10
Euro Screw Ø6.3 x 14



Plastic Dowel Ø5x7.2 or (Ø8-10)x10



Dimensions

*For dimensions "L" Please see Pg.10

