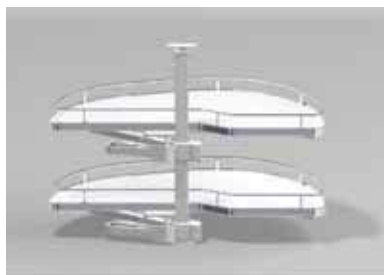


# Corner Cupboards



- Soft closing and easy opening system
- Twin shelves independently opened
- Prima melamine base
- 900mm cabinet LH/RH
- Load 20kg each shelf
- Quick installation

Code	Description
<b>48145000</b>	Dolphin Blind Corner Unit - Twin Kidney - Prima Shelves 900 RH
<b>48146000</b>	Dolphin Blind Corner Unit - Twin Kidney - Prima Shelves 900 LH



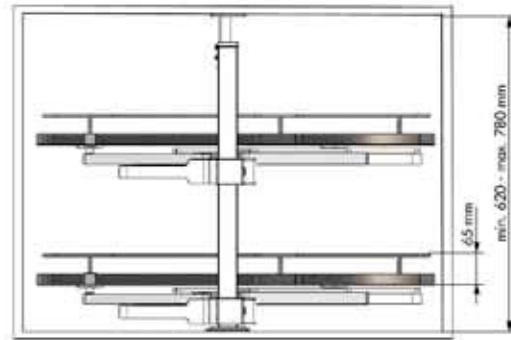
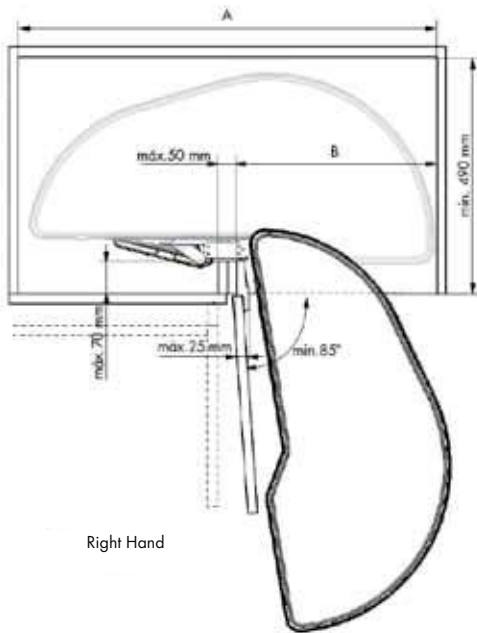
- Economical blind corner cupboard storage solution
- Twin white plastic shelves
- 900/1000mm cabinet
- Load capacity 20kg each shelf

Code	Description
<b>35062300</b>	180° Blind Corner Unit - Lazy Suzy 1/2 Round - Eco Shelves 900
<b>35069300</b>	180° Blind Corner Unit - Lazy Suzy 1/2 Round - Eco Shelves 1000



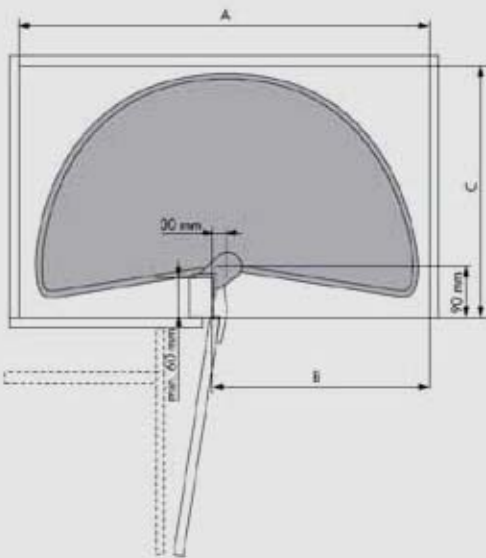
- Economical corner cupboard storage solution
- Twin white plastic shelves
- 800/900mm cabinet
- With shelf brake system
- Load capacity 20kg each shelf
- Adjustable height 690 to 750mm

Code	Description
<b>35063300</b>	270° Corner Unit - Lazy Suzy 3/4 Round - Eco Shelves 800
<b>35064300</b>	270° Corner Unit - Lazy Suzy 3/4 Round - Eco Shelves 900



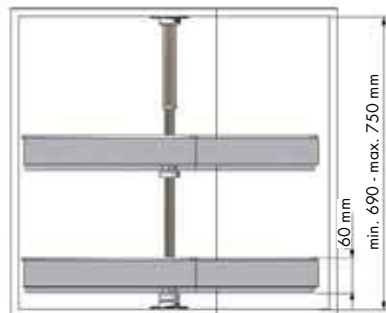
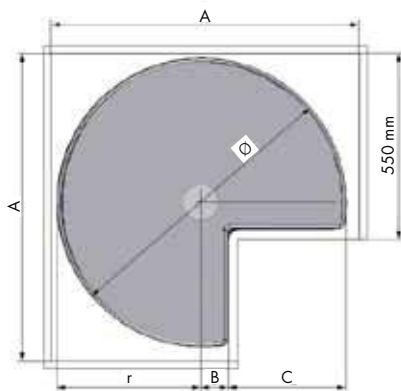
F	A	B
450	min. 860 mm	min. 410 mm

Code	Description
<b>48145000</b>	Dolphin Blind Corner Unit - Twin Kidney - Prima Shelves 900 RH 450
<b>48146000</b>	Dolphin Blind Corner Unit - Twin Kidney - Prima Shelves 900 LH 450



CODE	F	Ø	A	B	C
35062300	450	750 mm	min. 860 mm	min. 410 mm	min. 500 mm
35069300	500	850 mm	min. 960 mm	min. 460 mm	min. 550 mm

Code	Description
<b>35062300</b>	180° Blind Corner Unit - Lazy Suzy 1/2 Round - Eco Shelves 900 450
<b>35069300</b>	180° Blind Corner Unit - Lazy Suzy 1/2 Round - Eco Shelves 1000 500



CODE	Ø	r	A	B	C
35063300	720 mm	min. 360 mm	min. 760 mm	50 mm	310 mm
35064300	820 mm	min. 410 mm	min. 860 mm	85 mm	325 mm

Code	Description
<b>35063300</b>	270° Corner Unit - Lazy Suzy 3/4 Round - Eco Shelves 800
<b>35064300</b>	270° Corner Unit - Lazy Suzy 3/4 Round - Eco Shelves 900

# Corner Cupboards



- Soft closing and easy opening system
- Prima antislip melamine base
- 900mm cabinet LH/RH
- Load capacity - 9.5kg each rear shelf  
- 8kg each front basket

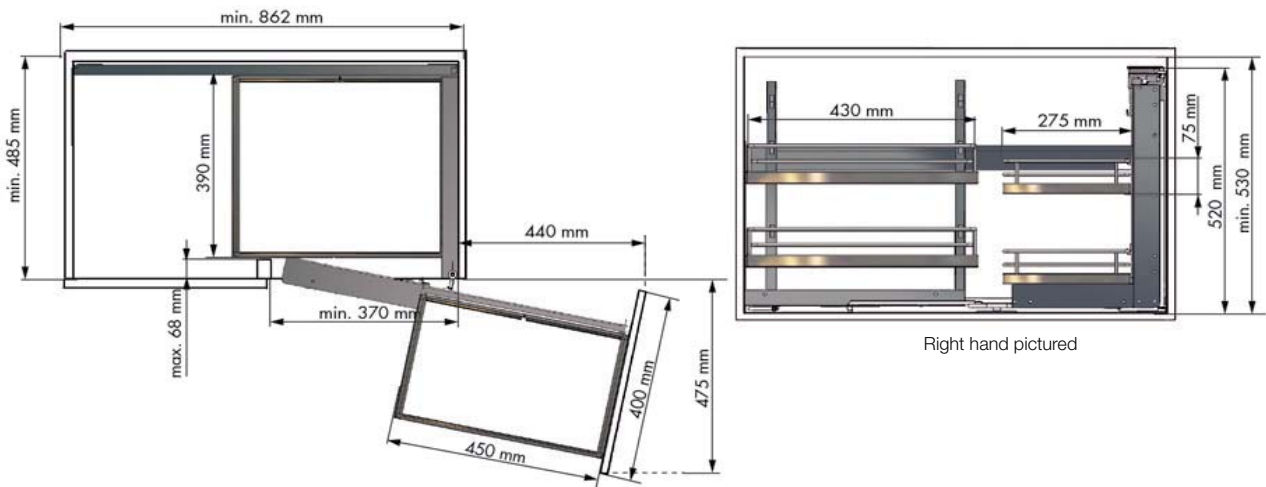
Code	Description
<b>48071014</b>	Magic Blind Corner Unit - Articulated - Prima Shelves 900 RH
<b>48072014</b>	Magic Blind Corner Unit - Articulated - Prima Shelves 900 LH



- Doors retract and shut automatically after a full turn
- Prima antislip melamine base
- 900mm cabinet
- Load capacity 25kg each shelf
- Pneumatic mechanism
- Suits 16/18mm cabinet thickness

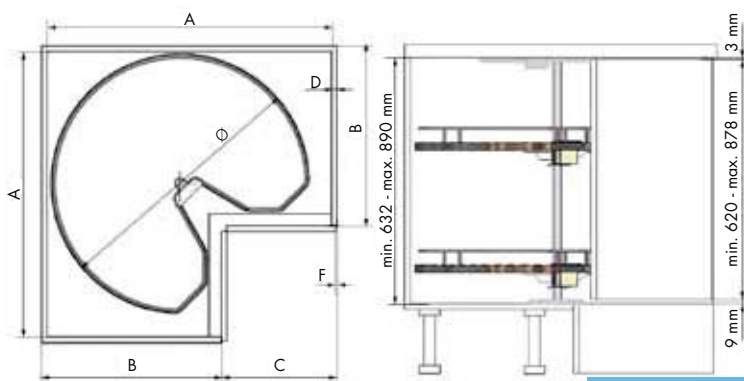
Assembled cabinets with installed Revo corner unit available upon request

Code	Description
<b>48011014</b>	Revo Corner Unit - Automatic Spin Doors Prima Shelves 900



Right hand pictured

Code	Description
48071014	Magic Blind Corner Unit - Articulated - Prima Shelves 900 RH
48072014	Magic Blind Corner Unit - Articulated - Prima Shelves 900 LH



CODE	Ø	A	B	C	D	F
48011014	810	min. 860 mm	550 mm	350mm	16-19 mm	2-4 mm

Code	Description
48011014	Revo Corner Unit - Automatic Spin Doors Prima Shelves 900 810 Ø - 350mm Door