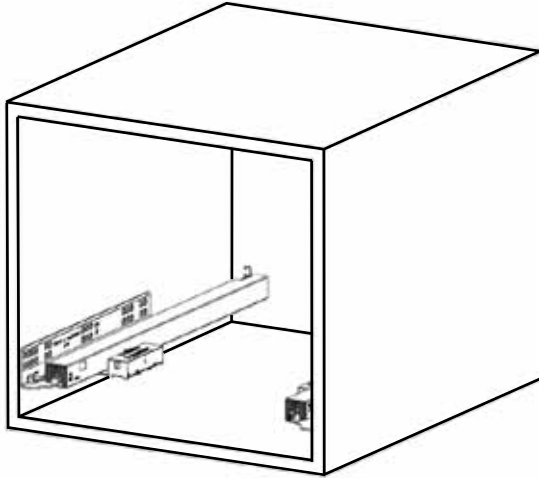


FULL EXTENSION DRAWER MANUAL

1



2

