

hinge systems

StarPlus⁺ Hinge Soft Close Mechanism



- Easy assembly/disassembly.
- Stop speed and force can be adjusted easily by adjustment.
- Adaptable only with Star Track and Star hinges.



Soft Close Mechanism for Star Plus Hinge Cranking "0"mm

Colour	Packing	Code
Nickel	Each	10299904

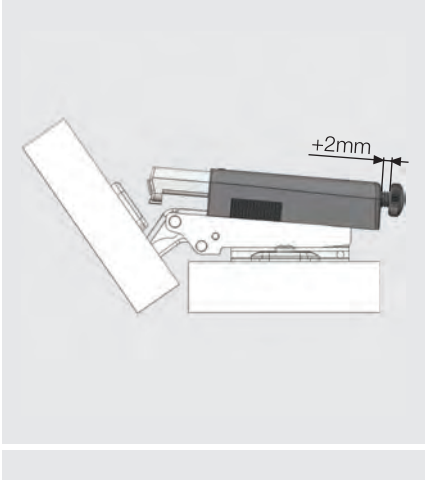
Soft Close Mechanism for Star Plus Hinge Cranking "9"mm

Colour	Packing	Code
Nickel	Each	10299905

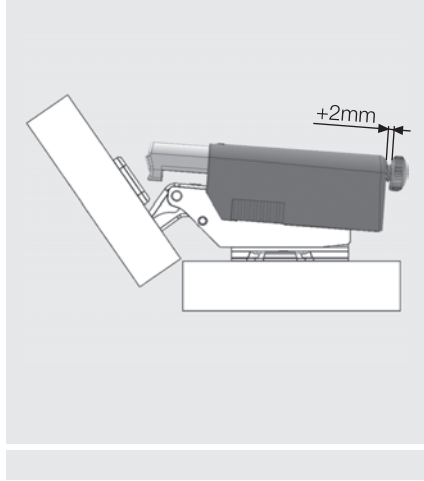
Soft Close Mechanism for Star Plus Hinge Cranking "18"mm

Colour	Packing	Code
Nickel	Each	10299906

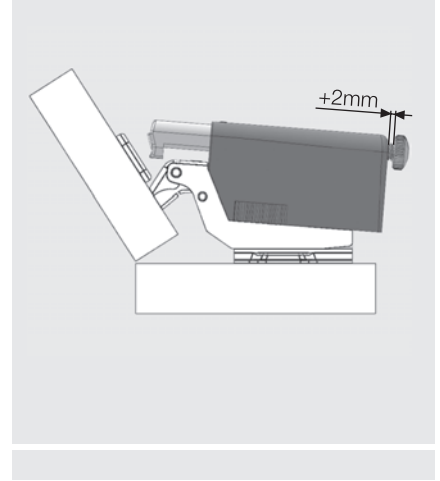
Cranking 0 mm.



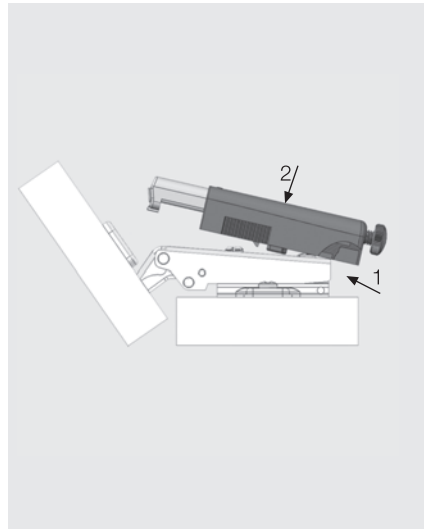
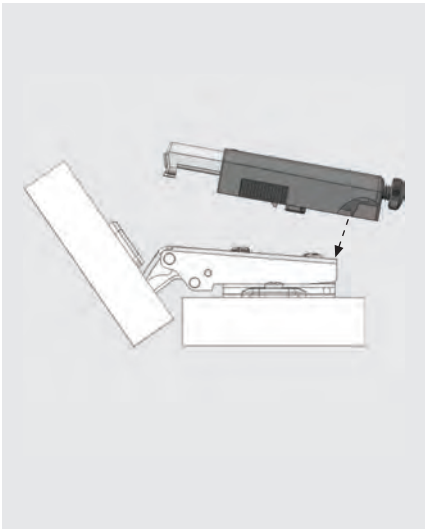
Cranking 9 mm.



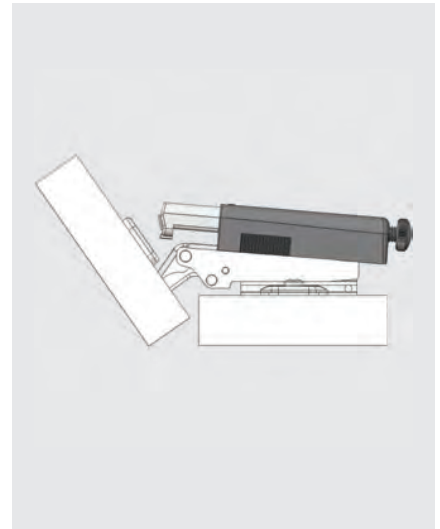
Cranking 18 mm.



Assembling



Disassembling



Necessity the Star Plus Quantity According to Door Size

* Quantity of soft close mechanism can be calculated according to door size and hinge quantity.

* The door width is 450mm.

