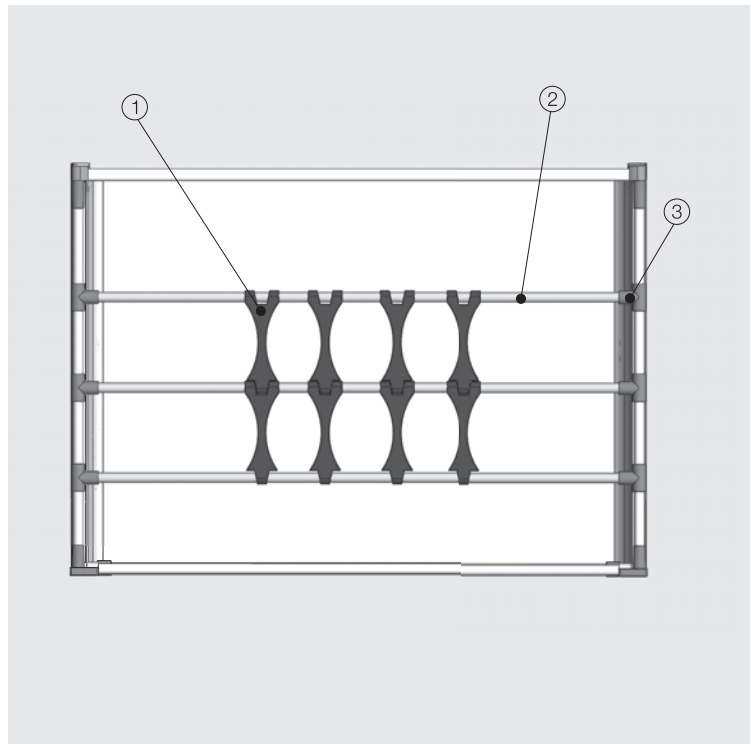




- Applicable with all drawers used with gallery railings
- For bottles with a diameter of Ø30-Ø100 mm
- Usage is recommended for bottom gallery railings with double gallery railing drawers



1 **Bottle Holder**

Packing Type	Colour	Code
Each	White	127902011

2 **Adjustable Gallery Railing**
1104 mm

AGR: Adjustable Gallery Railing
CIW= Cabinet Internal Width

Packing Type	Colour	Code
Each	White	1121981

3 **Adapter for Gallery Railing**

Packing Type	Colour	Code
Each	White	1121991