

### Specifications

- Improved soft closing system guarantees smooth running
- 40 kg dynamic load capacity
- 180 mm backboard height
- White and Grey colour options
- Wood backboard thickness 16 mm
- 270/300/350/400/450/500/550/600 mm drawer length
- Smart-click; Front panel toolless assembly/disassembly.
- Smart-fit; Easy toolless drawer removal and fitting
- Long service life

### Package:

1. Smartbox slide (right-left)
2. Smartbox side (right-left)
3. Backboard holder (right-left)
4. Inner Drawer Front Connectors (2 pcs)
5. Decorative cover (2pcs)
6. Gallery Rails (Set 2)
7. Drawer Bottom Panel Holder

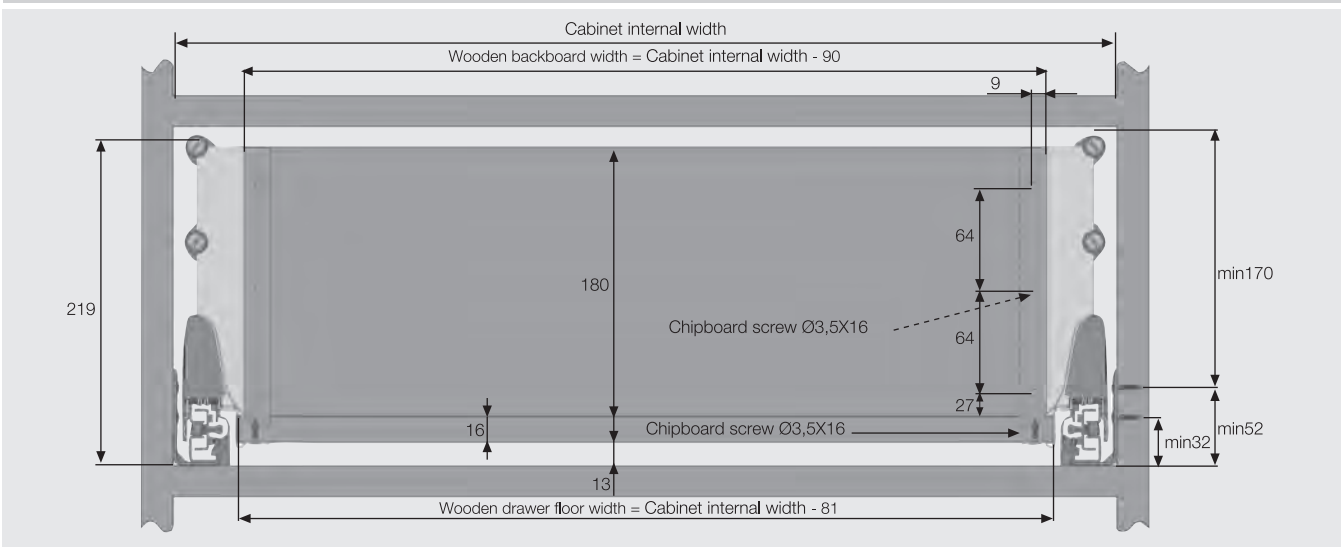
Drawer Set			
Nominal Size	Packaging Type	Colour Grey	Colour White
270mm.	1 Set	6501686	6501675
300mm.	1 Set		6501676
350mm.	1 Set	6501688	6501677
400mm.	1 Set		6501678
450mm.	1 Set	6501690	6501679
500mm.	1 Set	6501691	6501680
550mm.	1 Set		6501681
600mm.	1 Set		6501682

Front Panel			
Nominal Length	Packaging Type	Colour Grey	Colour White
1069mm.	Ea	12791731069	12791711069

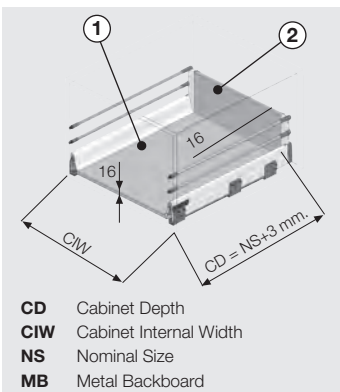
Single Cross Rail			
Nominal Length	Packaging Type	Colour Grey	Colour White
1104mm.	Ea	1121983	1121981

Drawer set contains front Inner Drawer Front Connectors, but front panel and cross rail need to be ordered separately

### Requirement for Place In The cabinet

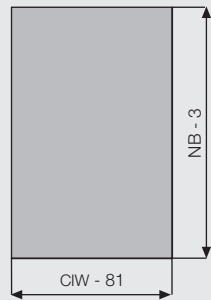


### Wooden Backboard Application

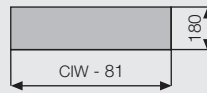


- CD** Cabinet Depth
- CIW** Cabinet Internal Width
- NS** Nominal Size
- MB** Metal Backboard

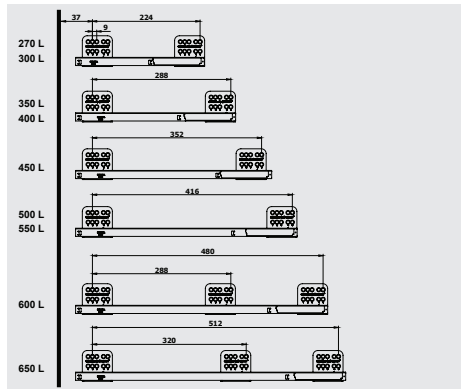
#### 1. Wooden Drawer Floor Width



#### 2. Wooden Backboard



### Screw Locations for the Slides



\* All dimensions in the diagram are in mm.