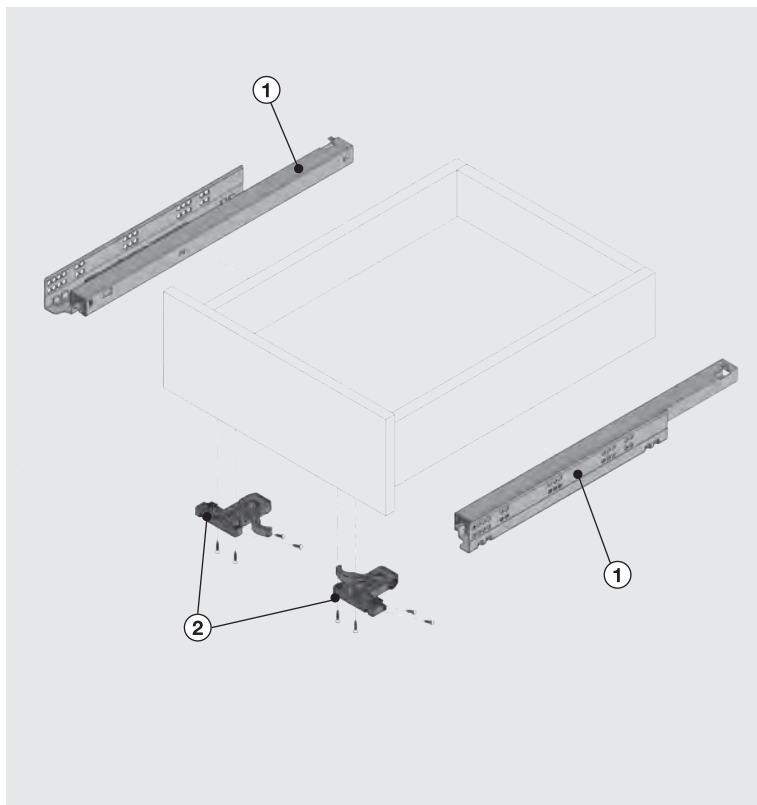




Specifications



- Concealed, full-extension wooden drawer slide
- Easy removal / fitting with **SmartLock®**
- With **SmartLock®**, Right/Left and Up/Down freehand adjustment
- 30 kg dynamic load capacity
- Maximum 19mm. wooden side application
- 250/300/350/400/450/500/550/600 mm drawer length
- Long service life



1-2 Smart Slide Drawer Slide incl. SmartLock®

Nominal Size	Packing Type	Code with Airbrake
250 mm.	1 Set	6500460
300 mm.	1 Set	6500461
350 mm.	1 Set	6500462
400 mm.	1 Set	6500463
450 mm.	1 Set	6500464
500 mm.	1 Set	6500465
550 mm.	1 Set	6500466
600 mm.	1 Set	6500467

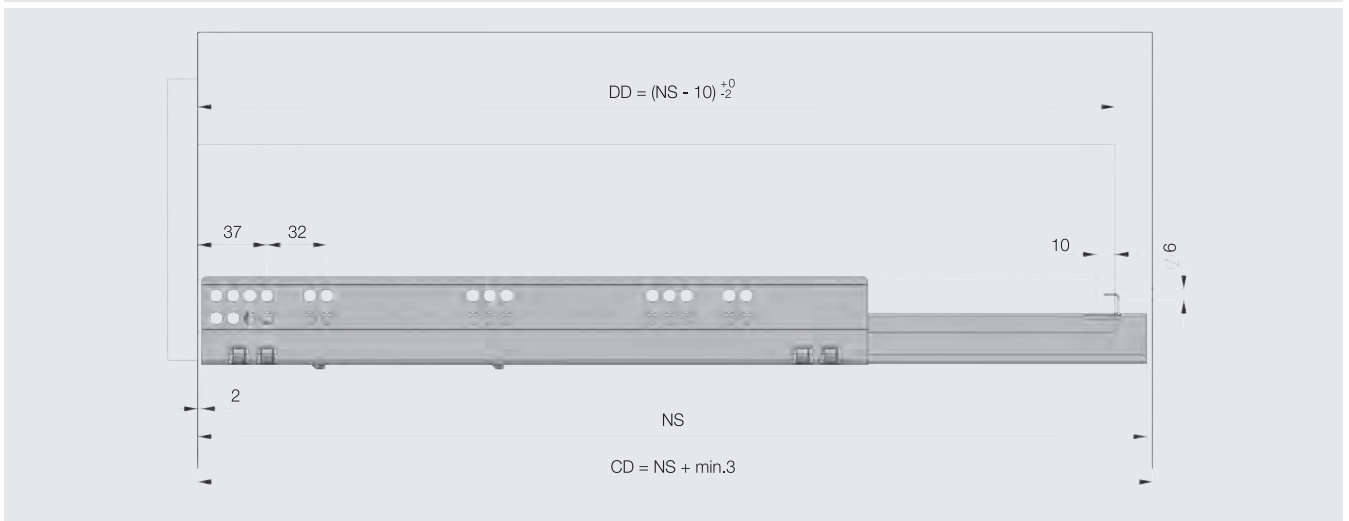
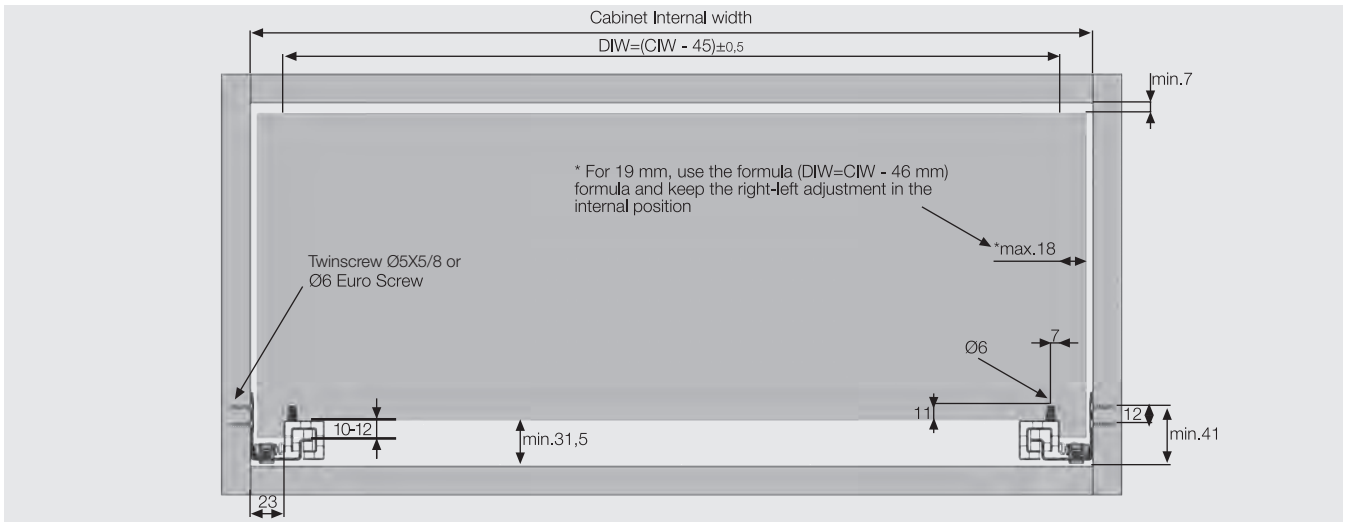
1 Smart Slide Drawer Slide

Nominal Size	Packing Type	Code with Airbrake
250 mm.	1 Set	12724221
300 mm.	1 Set	12724222
350 mm.	1 Set	12724223
400 mm.	1 Set	12724224
450 mm.	1 Set	12724225
500 mm.	1 Set	12724226
550 mm.	1 Set	12724227
600 mm.	1 Set	12724228

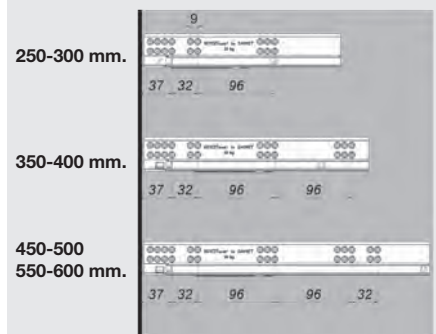
2 SmartLock® Right-Left

Packing Type	Code
1 Set	6501700

Drawer and Cabinet Dimensions



Screw Locations for the slides



- CD** Cabinet Depth
- CIW** Cabinet Internal Width
- DIW** Drawer Internal Width
- DD** Drawer Depth
- NS** Nominal Size

* All dimensions in the diagram are in mm.