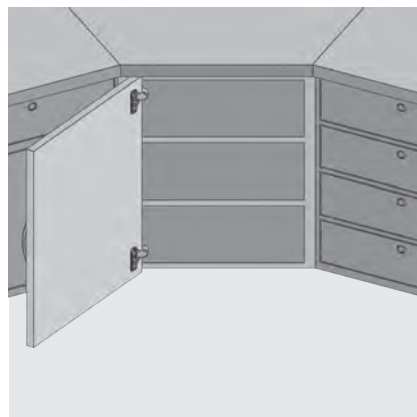


# hinge systems

## Star +45° Track Hinge



- Opening angle: 110°
- Cup diameter: 35mm.
- Cup Depth: 11.2mm.
- Hinge Body: Steel
- Hinge Cup: Steel
- Coating: Nickel
- Assembling and disassembling feature with one touch on the door without using screw driver.



### Star 45° Track Hinge

Description	Code
Chipboard Screw "52mm."	1018143
Ø10 Dowel "52mm."	1018773

### Page Directions

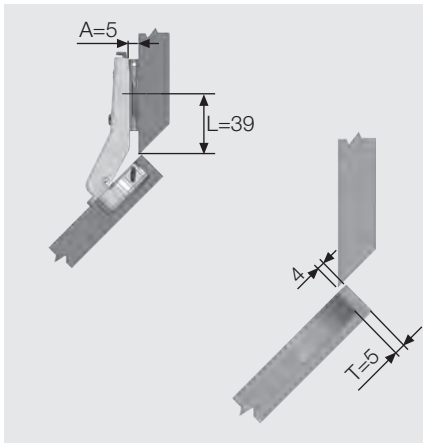
Assembling, Disassembling  
For Mounting Plate

Pg. F33

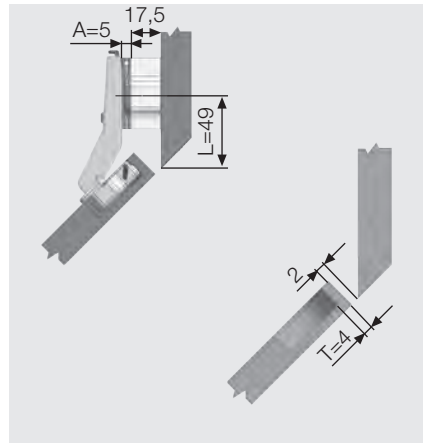
Pg. F19

### Application Alternatives

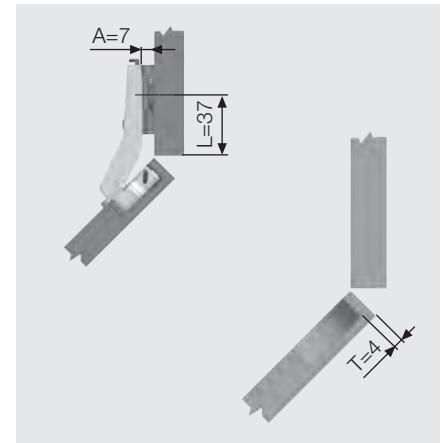
Please check [page F29](#) for (+5) or (-5) distances or distances for specifications to acquire mid measures if it is required



T	L	A
5	39	5

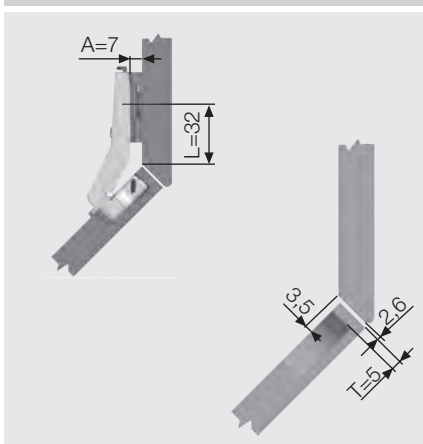


T	L	A
4	49	5+17,5

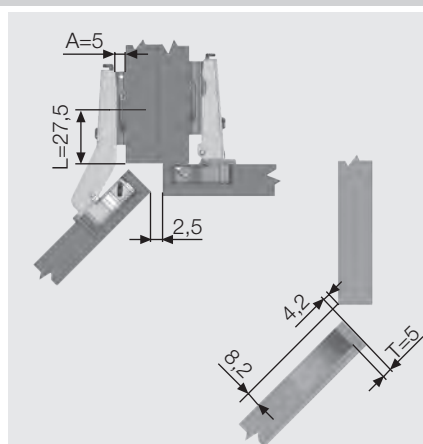


T	L	A
5	37	7

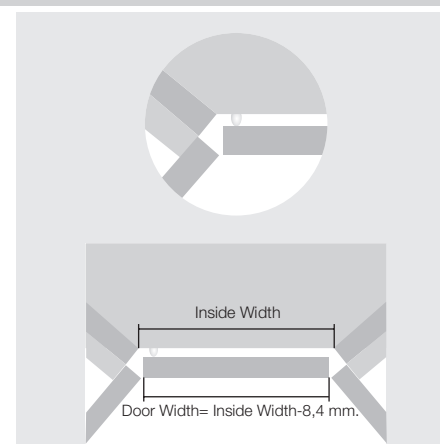
### Application Alternatives



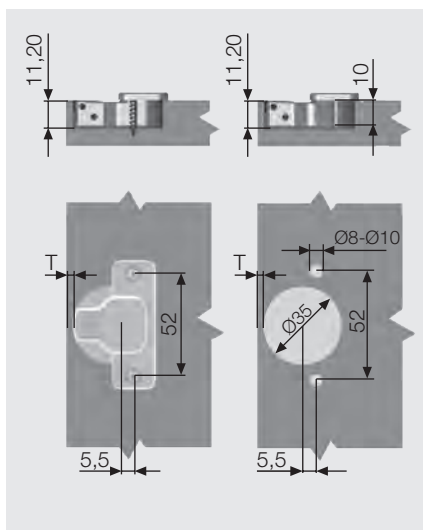
T	L	A
5	32	7



T	L	A
5	27,5	5



### Cup Dimensions "52mm."



\*Note 1: Dowels are used for hinge cup. \*Note 2: 52 mm. indicate hole distance of hinge cup.