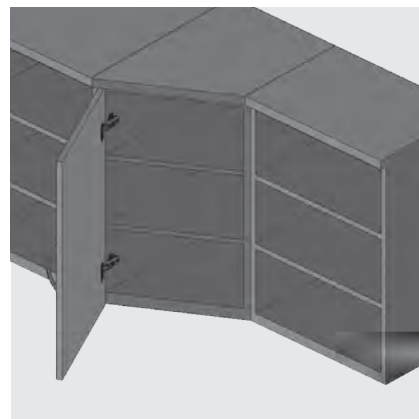


hinge systems

Star -30° Track Hinge



- Opening angle: 110°
- Cup diameter: 35mm.
- Cup Depth: 11.2mm.
- Hinge Body: Zamac
- Hinge Cup: Steel
- Crank type: 0-9-18 mm.
- Coating: Nickel
- Assembling and disassembling feature with one touch on the door without using screw driver.



Star -30° Track Hinge

Description	Code
Chipboard Screw "52mm."	1018073
Ø10 Dowel "52mm."	1018693

Page Directions

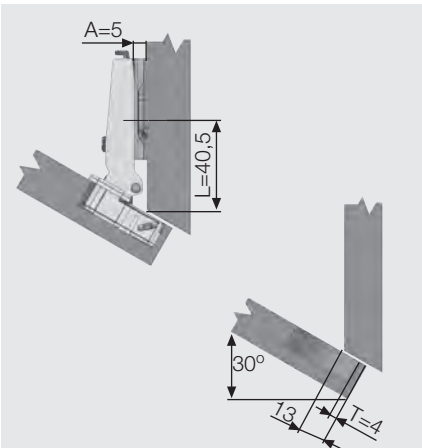
Assembling, Disassembling
For Mounting Plate

Pg. F33

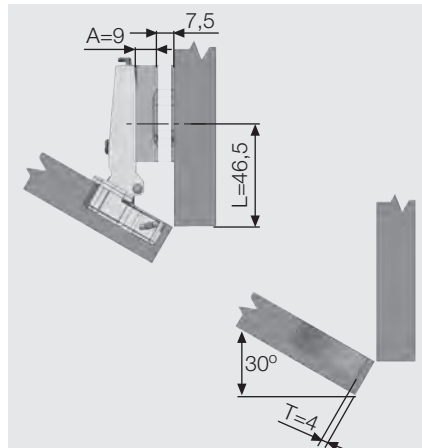
Pg. F19

Application Alternatives

Please check [page F29](#) for (+5) or (-5) distances or distances for specifications to acquire mid measures if it is required

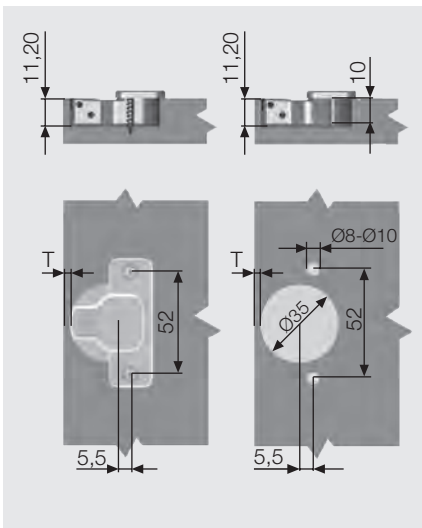


T	L	A
4	40,5	5



T	L	A
4	46,5	9+7,5

Cup Dimensions "52mm."



*Note 1: Dowels are used for hinge cup. *Note 2: 52 mm. indicate hole distance of hinge cup.