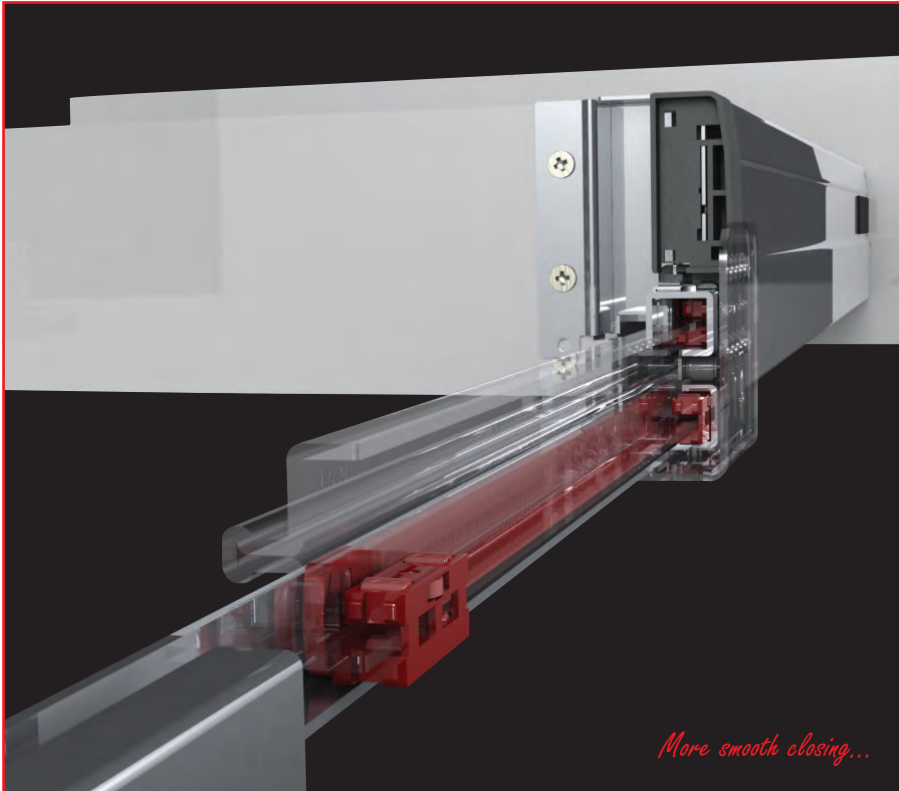


smart box®

Smartbox

samet®
New Zealand





Smartbox operates silently while opening and closing

More smooth closing...

Improved carrier system

By extended support distances the drawers work smoother and quieter.

With **Smartbox**, the drawers are fixed in position quickly and easily.

Moreover, since the break system now takes place on the rail the assembly is safer.

More convenient assembly...



Locking point optimisation;

With amended optimization studies, easier assembly and re-assembly is provided.



With **Smartbox**, the drawers can not come out easily.

Due to the new system, the drawers are always kept under control and safe usage is assured.

Improved drawer lock mechanism;

improvements to the rail mechanism mean the drawers lock safely.

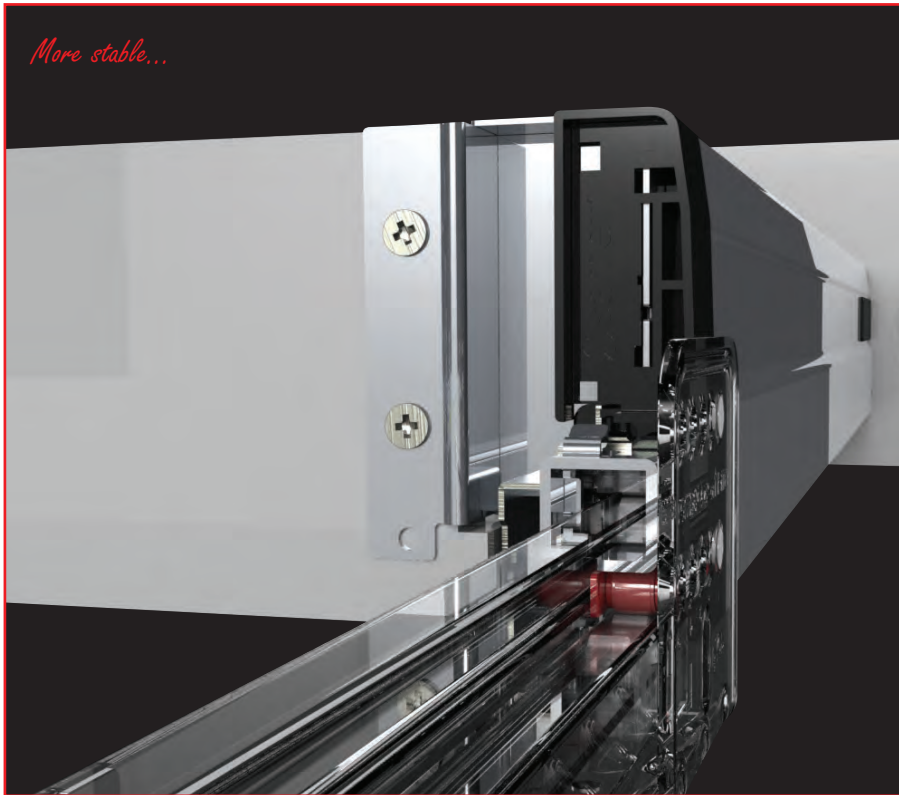


With **Smartbox**'s improved soft close system, the drawers are closed slowly even if they are pushed hard.

The improved brake system will provide softer closing.

More smooth and fluent closing;

With renewed design, the soft closing mechanism placed on rails the drawers are now closing more smoothly and fluently.

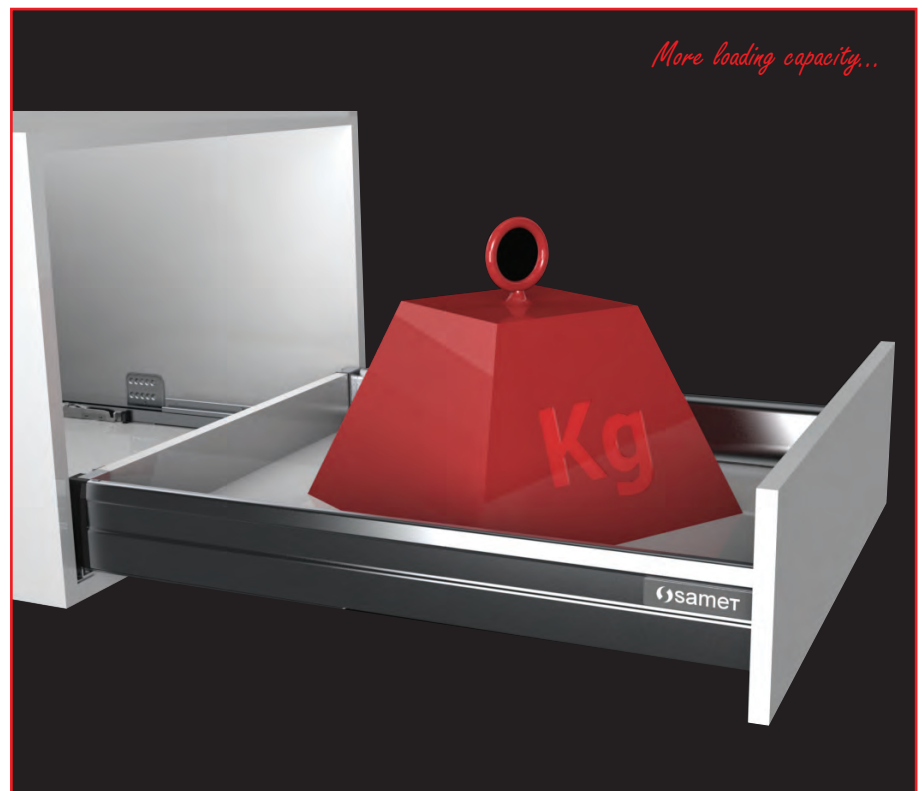


With **Smartbox**'s stabilisation rollers, your drawers are more stable and synchronised.

Horizontal Oscillation Control;

Due to the increased rail profile strength and new synchronisation system, the horizontal oscillation is taken under control.

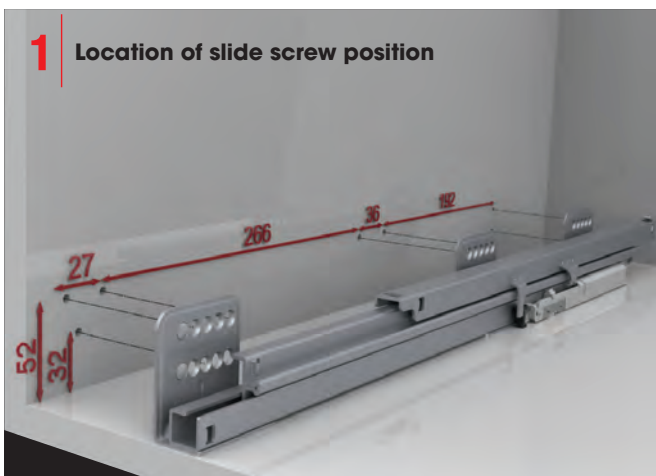
The **Smartbox** slide system is designed to carry a 40kg loading.



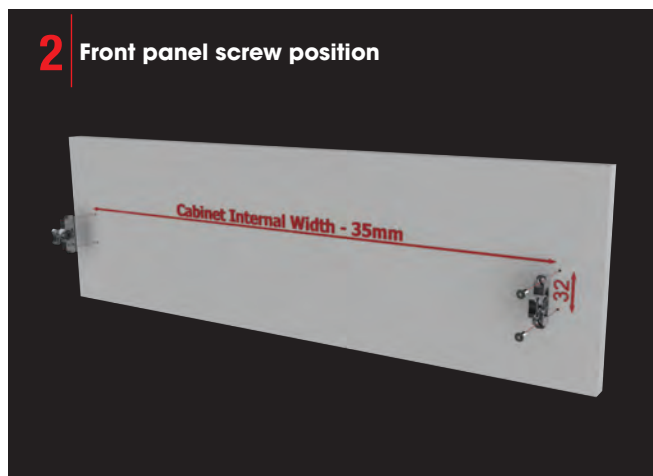
Improved rail strength;

With improved rail strength the rail's loading capacity has been increased.

1 Location of slide screw position



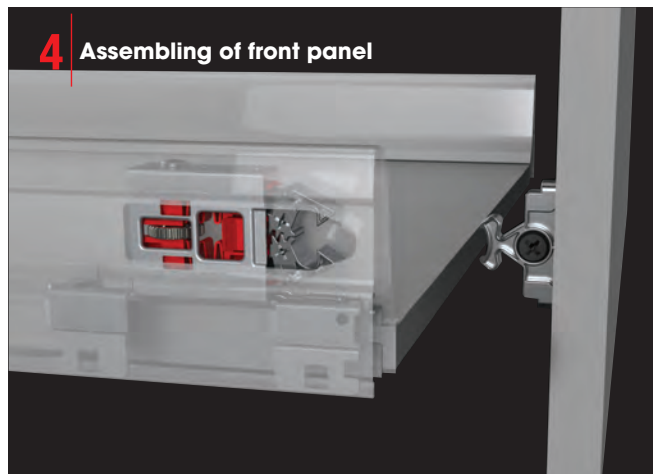
2 Front panel screw position



3 Bottom screw position



4 Assembling of front panel





smart box | Up to 40 kg. local capacity for heavy
smart slide | loaded drawers

SMART CLICK[®] (**smart box**)



SMARTCLICK[®] enables you to assemble and disassemble the front panel with single movement.

SMART CLICK[®] (**smart box**)

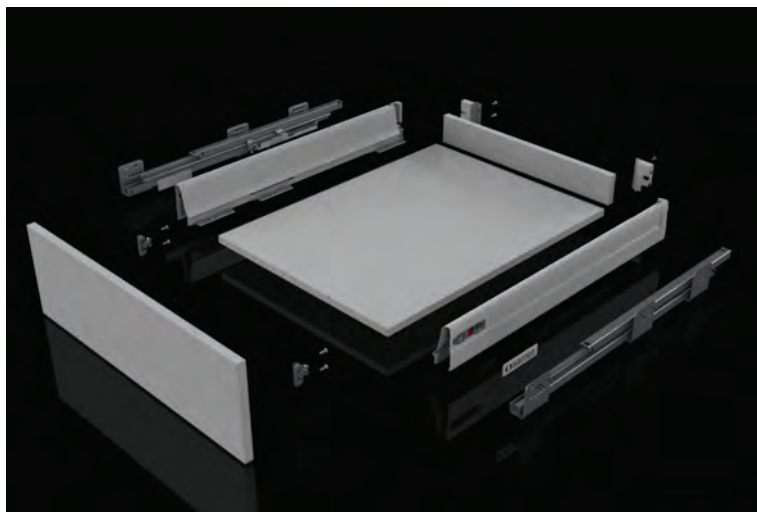


Front panel can be adjusted up and down $\pm 2\text{mm}$ left-right $\pm 1,5\text{mm}$.

SMART FIT[®] (**smart box**)



You can dismount the drawer from the side by pulling it up and mount it on by placing and pushing through the slide.



Specifications:

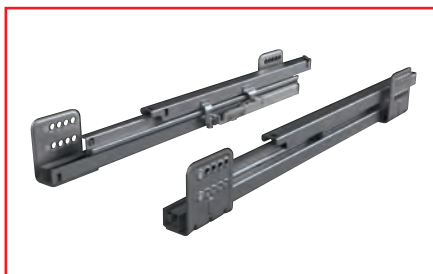
- Improved soft closing system guarantees smooth running
- 40 kg dynamic load capacity
- ± 2 mm up/down, ± 1.5 mm right/left adjustable
- .68mm backboard height
- White and grey colour options
- Wood backboard thickness 16 mm
- 270/300/350/400/450/500/600 mm drawer length
- Smart-Click : front panel toolless assembly/disassembly
- SmartFit easy toolless drawer removal and fitting
- Long service life

Package:

1. Smartbox slide (right-left)
2. Smartbox side (right-left)
3. Backboard holder (right-left)
4. Front connector pieces (2 pcs)
5. Decorative cover (2pcs)

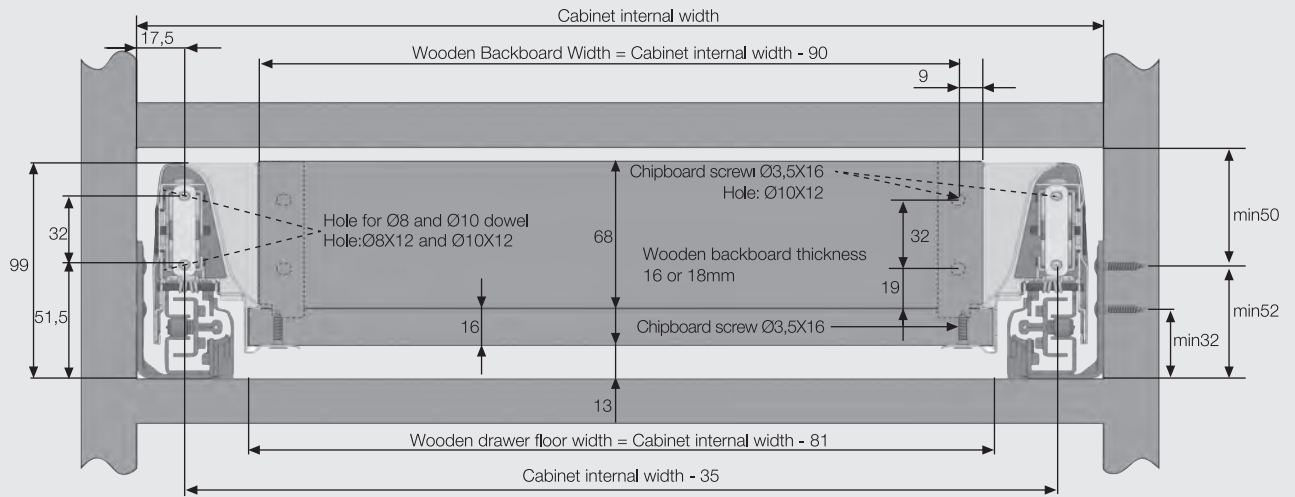
New Smart Box 40kg.

| Nominal Size | Packaging Type | Colour Grey | Colour White |
|--------------|----------------|-------------|--------------|
| 270mm. | 1 Set | 127139213 | 127139211 |
| 300mm. | 1 Set | | 127139221 |
| 350mm. | 1 Set | 127139233 | 127139231 |
| 400mm. | 1 Set | | 127139241 |
| 450mm. | 1 Set | 127139253 | 127139251 |
| 500mm. | 1 Set | 127139263 | 127139261 |
| 550mm. | 1 Set | 127139273 | 127139271 |
| 600mm. | 1 Set | | 127139281 |

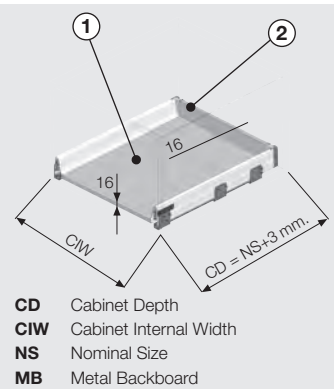


*Smartbox slide for 270-550mm length

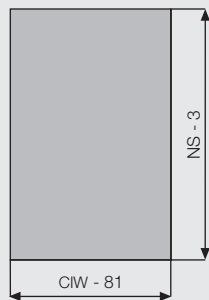
Requirement for Place In The cabinet



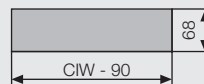
Wooden Backboard Application



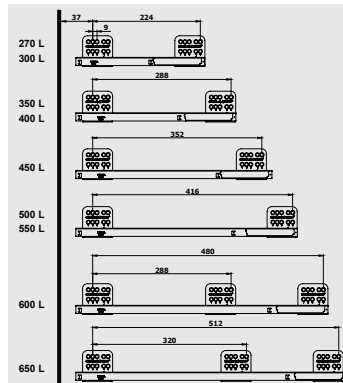
1. Wooden Drawer Floor Width



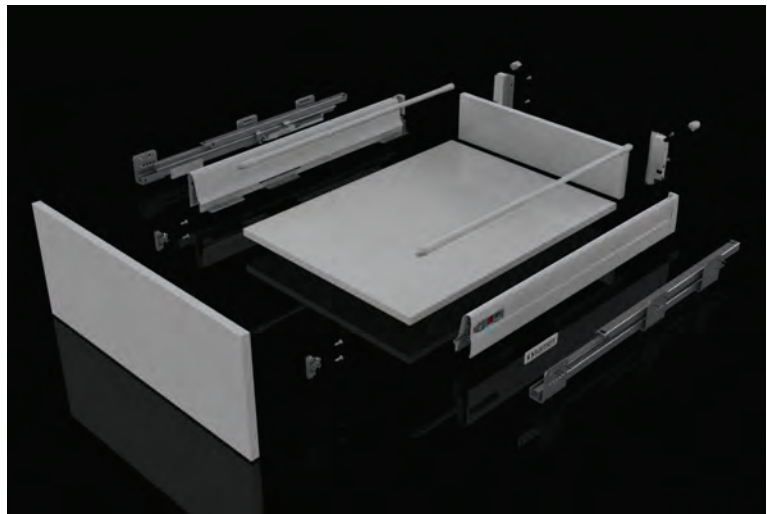
2. Wooden Backboard



Screw Locations for the Slides



* All dimensions in the diagram are in mm.



Specifications

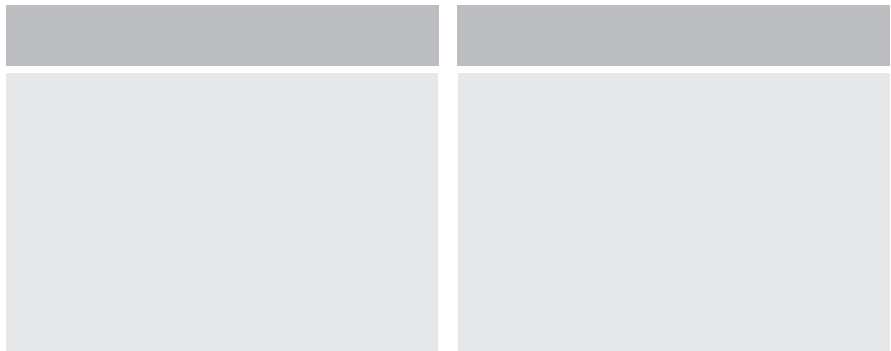
- Improved soft closing system guarantees smooth running
- 40 kg dynamic load capacity
- ± 2 mm up/down, ± 1.5 mm right/left adjustable
- 116 mm backboard height
- White and Grey colour options
- Wood backboard thickness 16 mm
- 270/300/350/400/450/500/550/600 mm drawer length
- Smart-click; Front panel toolless assembly/disassembly.
- Smart-fit; Easy toolless drawer removal and fitting.
- Long service life

Package:

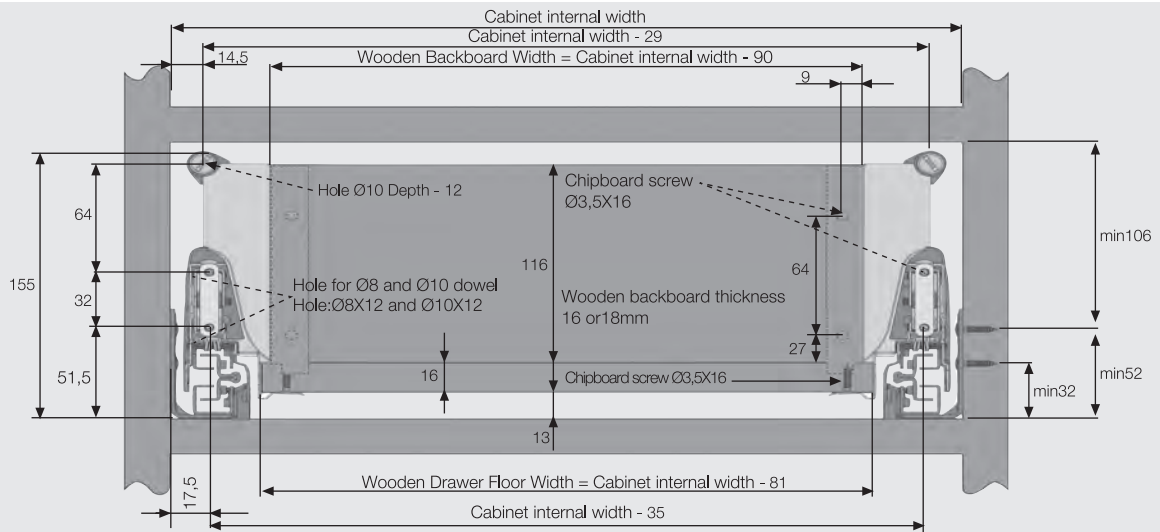
1. Smartbox slide (right-left)
2. Smartbox side (right-left)
3. Backboard holder (right-left)
4. Front connector pieces (2 pcs)
5. Decorative cover (2pcs)
6. Gallery Rails (Set 2)

Drawer Set

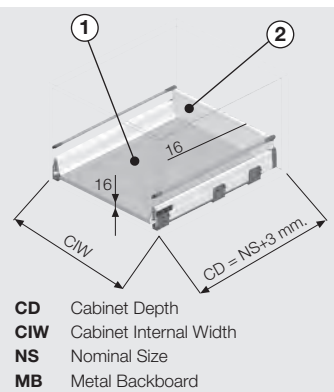
| Nominal Size | Packaging Type | Colour Grey | Colour White |
|--------------|----------------|-------------|--------------|
| 270mm. | 1 Set | 6500056 | 6500040 |
| 300mm. | 1 Set | | 6500041 |
| 350mm. | 1 Set | 6500058 | 6500042 |
| 400mm. | 1 Set | | 6500043 |
| 450mm. | 1 Set | 6500060 | 6500044 |
| 500mm. | 1 Set | 6500061 | 6500045 |
| 550mm. | 1 Set | | 6500046 |
| 600mm. | 1 Set | | 6500047 |



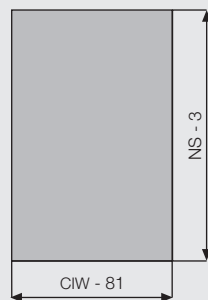
Requirement for Place In The cabinet



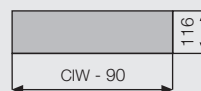
Wooden Backboard Application



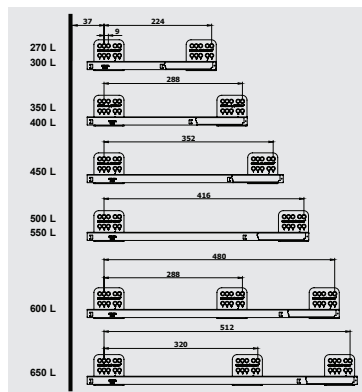
1. Wooden Drawer Floor Width



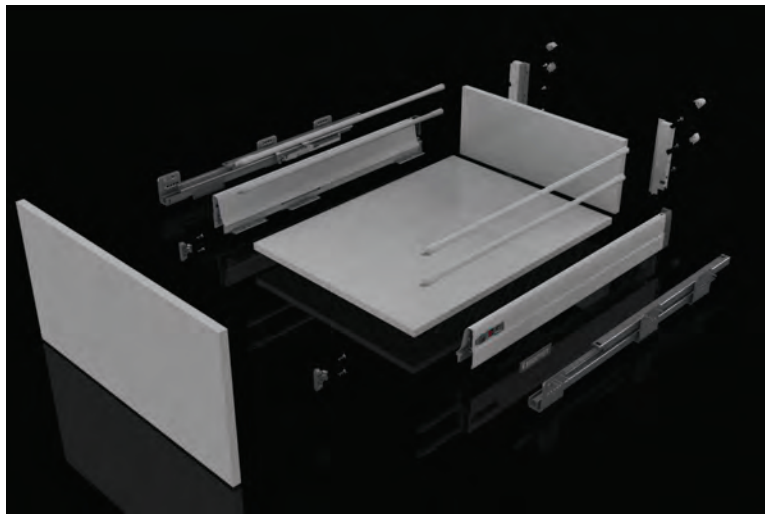
2. Wooden Backboard



Screw Locations for the Slides



* All dimensions in the diagram are in mm.



Specifications

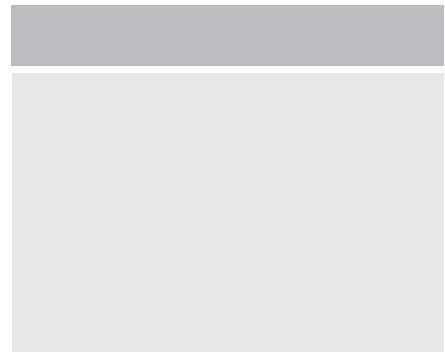
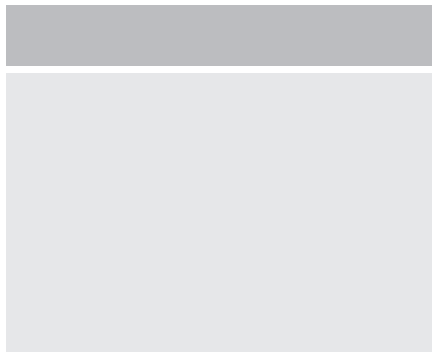
- Improved soft closing system guarantees smooth running
- 40 kg dynamic load capacity
- ± 2 mm up/down, ± 1.5 mm right/left adjustable
- 180 mm backboard height
- White and Grey colour options
- Wood backboard thickness 16 mm
- 270/300/350/400/450/500/550/600 mm drawer length
- Smart-click; Front panel toolless assembly/disassembly.
- Smart-fit; Easy toolless drawer removal and fitting.
- Long service life

Package:

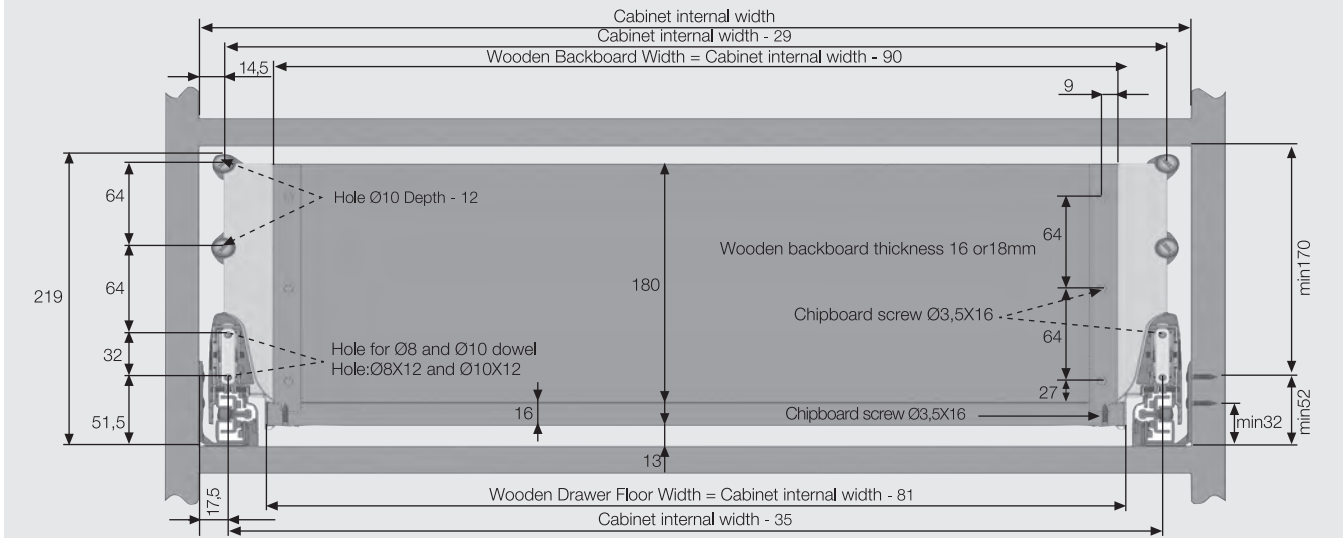
1. Smartbox slide (right-left)
2. Smartbox side (right-left)
3. Backboard holder (right-left)
4. Front connector pieces (2 pcs)
5. Decorative cover (2pcs)
6. Gallery Rails (2 x Set 2)

Drawer Set

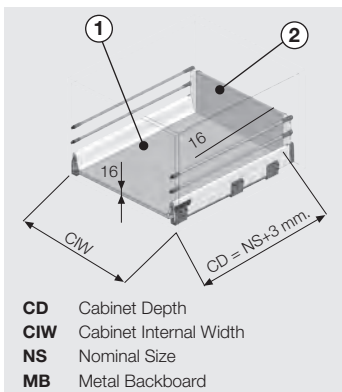
| Nominal Size | Packaging Type | Colour Grey | Colour White |
|--------------|----------------|-------------|--------------|
| 270mm. | 1 Set | 6501636 | 6501625 |
| 300mm. | 1 Set | | 6501626 |
| 350mm. | 1 Set | 6501638 | 6501627 |
| 400mm. | 1 Set | | 6501628 |
| 450mm. | 1 Set | 6501640 | 6501629 |
| 500mm. | 1 Set | 6501641 | 6501630 |
| 550mm. | 1 Set | | 6501631 |
| 600mm. | 1 Set | | 6501632 |



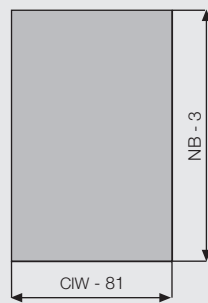
Requirement for Place In The cabinet



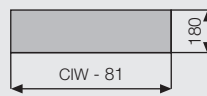
Wooden Backboard Application



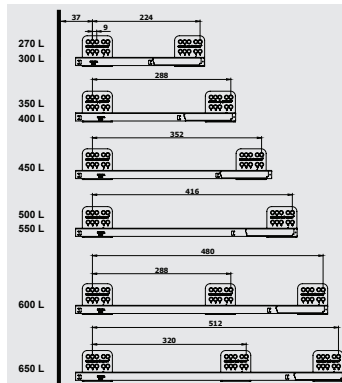
1. Wooden Drawer Floor Width



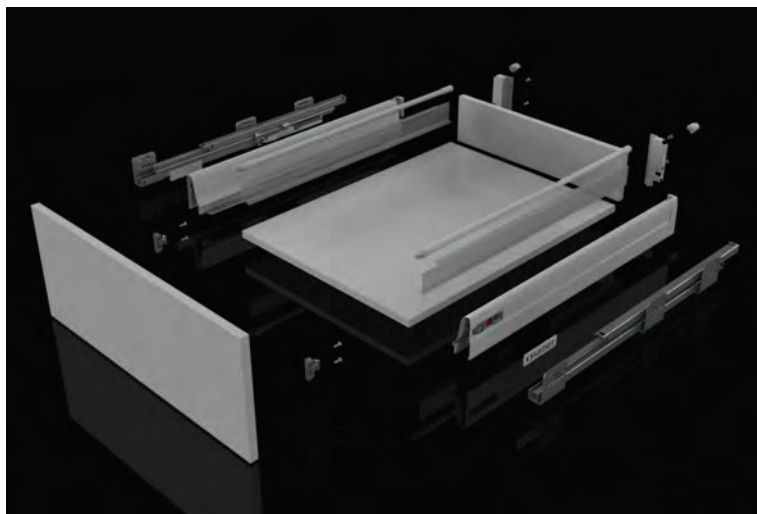
2. Wooden Backboard



Screw Locations for the Slides



* All dimensions in the diagram are in mm.



Specifications

- Improved soft closing system guarantees smooth running
- 40 kg dynamic load capacity
- ± 2 mm up/down, ± 1.5 mm right/left adjustable
- 116 mm backboard height
- White and Grey colour options
- Wood backboard thickness 16 mm
- 350/400/450/500mm drawer length
- Smart-click; Front panel toolless assembly/disassembly.
- Smart-fit; Easy toolless drawer removal and fitting.
- Long service life

Package:

1. Smartbox slide (right-left)
2. Smartbox side (right-left)
3. Backboard holder (right-left)
4. Front connector pieces (2 pcs)
5. Decorative cover (2pcs)
6. Gallery Rails (Set 2)
7. Plexi side panels or Steel side panels H:48 (Set 2)

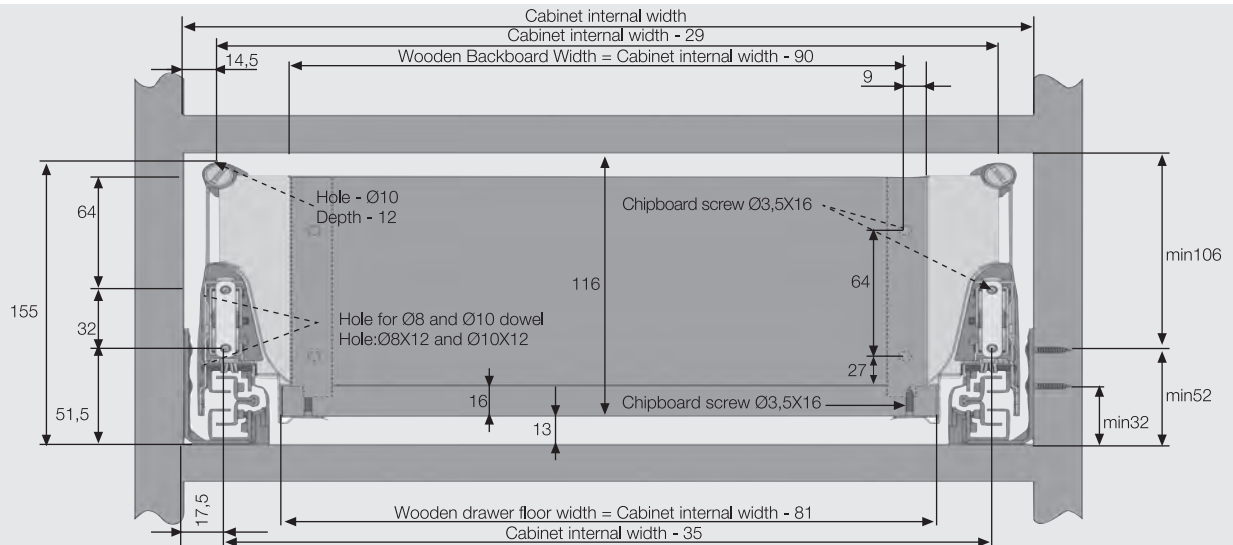
Drawer Set with Plexi Sides

| Nominal Size | Packaging Type | Colour Grey | Colour White |
|--------------|----------------|-------------|--------------|
| 350mm. | 1 Set | 6501613 | 6501600 |
| 400mm. | 1 Set | | 6501601 |
| 450mm. | 1 Set | 6501615 | 6501602 |
| 500mm. | 1 Set | 6501616 | 6501603 |

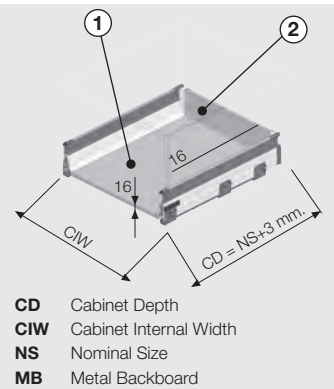
Drawer Set with Steel Sides

| Nominal Size | Packaging Type | Colour Grey | Colour White |
|--------------|----------------|-------------|--------------|
| | | | |
| 450mm. | 1 Set | 6501619 | 6501607 |
| 500mm. | 1 Set | 6501620 | 6501608 |

Requirement for Place In The cabinet

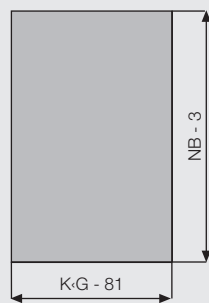


Wooden Backboard Application

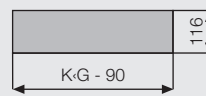


- CD** Cabinet Depth
- C/W** Cabinet Internal Width
- NS** Nominal Size
- MB** Metal Backboard

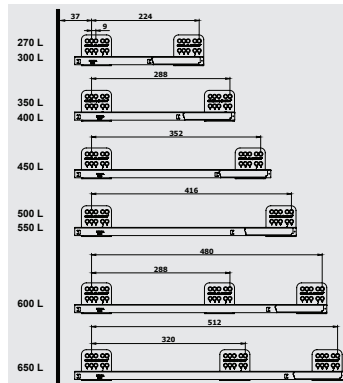
1. Wooden Drawer Floor Width



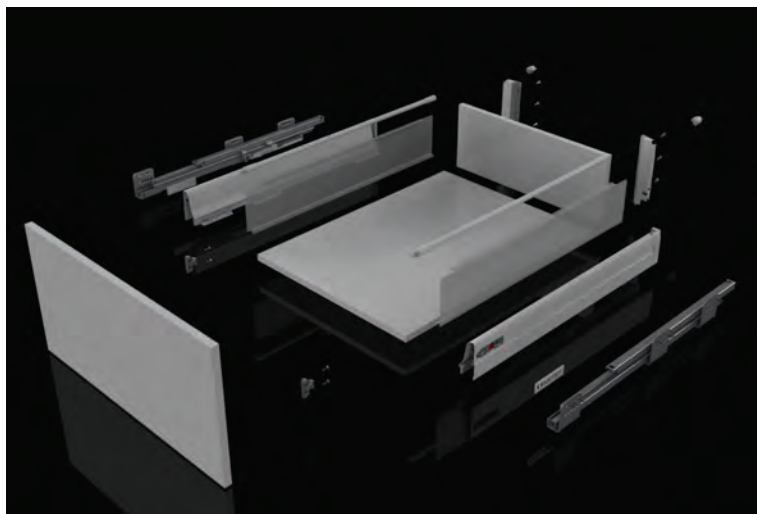
2. Wooden Backboard



Screw Locations for the Slides



* All dimensions in the diagram are in mm.



Specifications

- Improved soft closing system guarantees smooth running
- 40 kg dynamic load capacity
- ± 2 mm up/down, ± 1.5 mm right/left adjustable
- 180 mm backboard height
- White and Grey colour options
- Wood backboard thickness 16 mm
- 350/400/450/500mm drawer length
- Smart-click; Front panel toolless assembly/disassembly.
- Smart-fit; Easy toolless drawer removal and fitting.
- Long service life

Package:

1. Smartbox slide (right-left)
2. Smartbox side (right-left)
3. Backboard holder (right-left)
4. Front connector pieces (2 pcs)
5. Decorative cover (2pcs)
6. Gallery Rails (Set 2)
7. Plexi side panels or Steel side panels H:112 (Set 2)

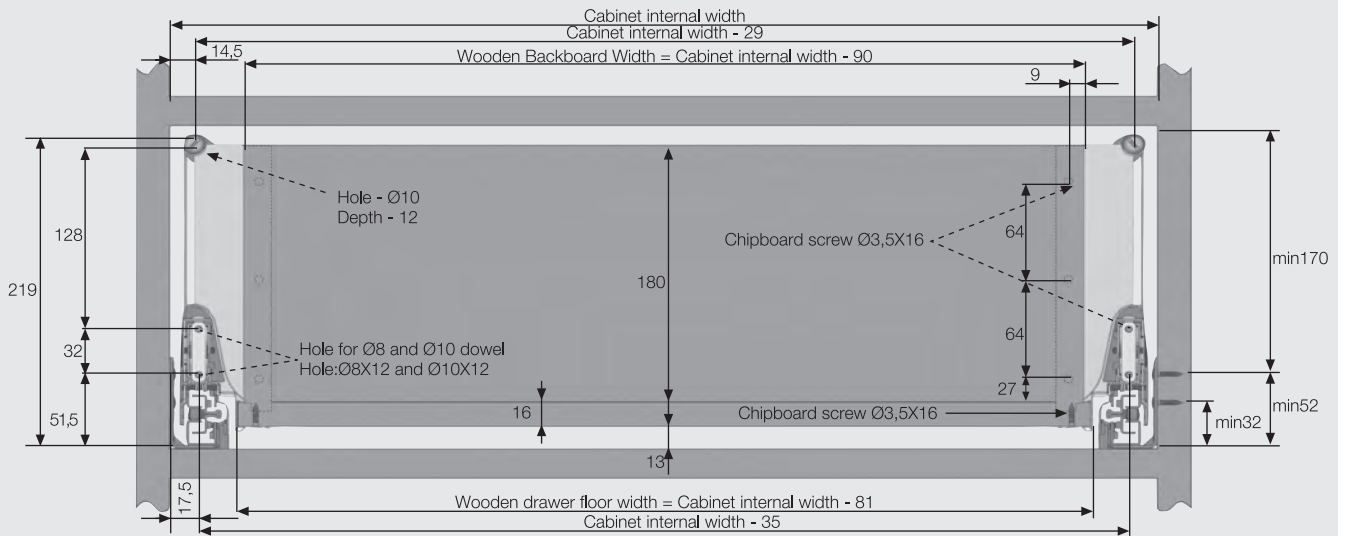
Drawer Set with Plexi Sides

| Nominal Size | Packaging Type | Colour Grey | Colour White |
|--------------|----------------|-------------|--------------|
| 350mm. | 1 Set | | 6500120 |
| 400mm. | 1 Set | | 6500121 |
| 450mm. | 1 Set | 6500140 | 6500122 |
| 500mm. | 1 Set | 6500141 | 6500123 |

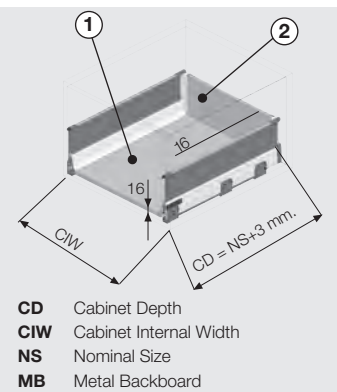
Drawer Set with Steel Sides

| Nominal Size | Packaging Type | Colour Grey | Colour White |
|--------------|----------------|-------------|--------------|
| | | | |
| 450mm. | 1 Set | 6500144 | 6500127 |
| 500mm. | 1 Set | 6500145 | 6500128 |

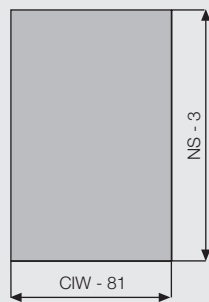
Requirement for Place In The cabinet



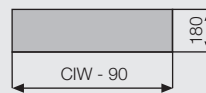
Wooden Backboard Application



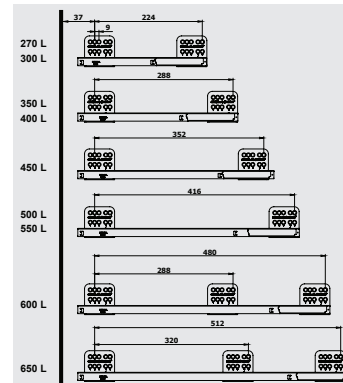
1. Wooden Drawer Floor Width

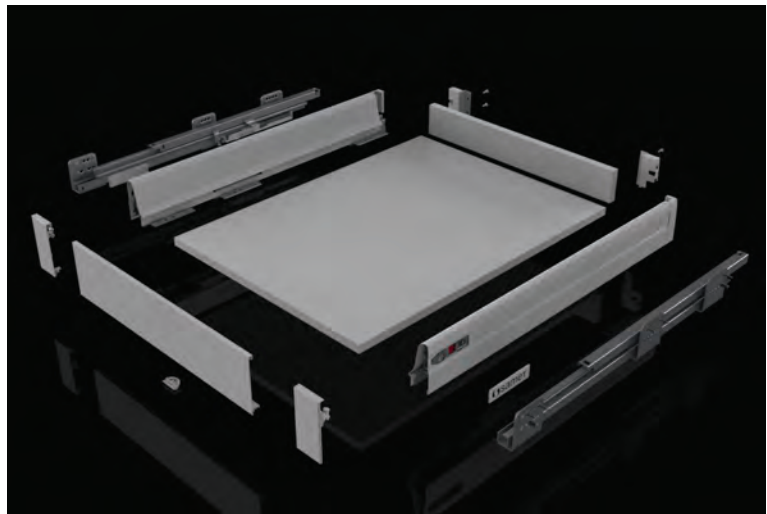


2. Wooden Backboard



Screw Locations for the Slides





Specifications

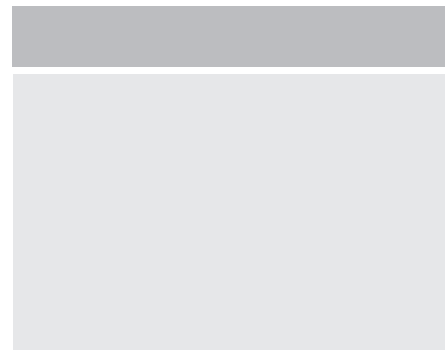
- Improved soft closing system guarantees smooth running
- 40 kg dynamic load capacity
- 68 mm backboard height
- White and Grey colour options
- Wood backboard thickness 16 mm
- 270/300/350/400/450/500/550/600 mm drawer length
- Smart-click; Front panel toolless assembly/disassembly.
- Smart-fit; Easy toolless drawer removal and fitting.
- Long service life

Package:

1. Smartbox slide (right-left)
2. Smartbox side (right-left)
3. Backboard holder (right-left)
4. Inner Drawer Front Connectors (2 pcs)
5. Decorative cover (2pcs)
6. Drawer Bottom Panel Holder

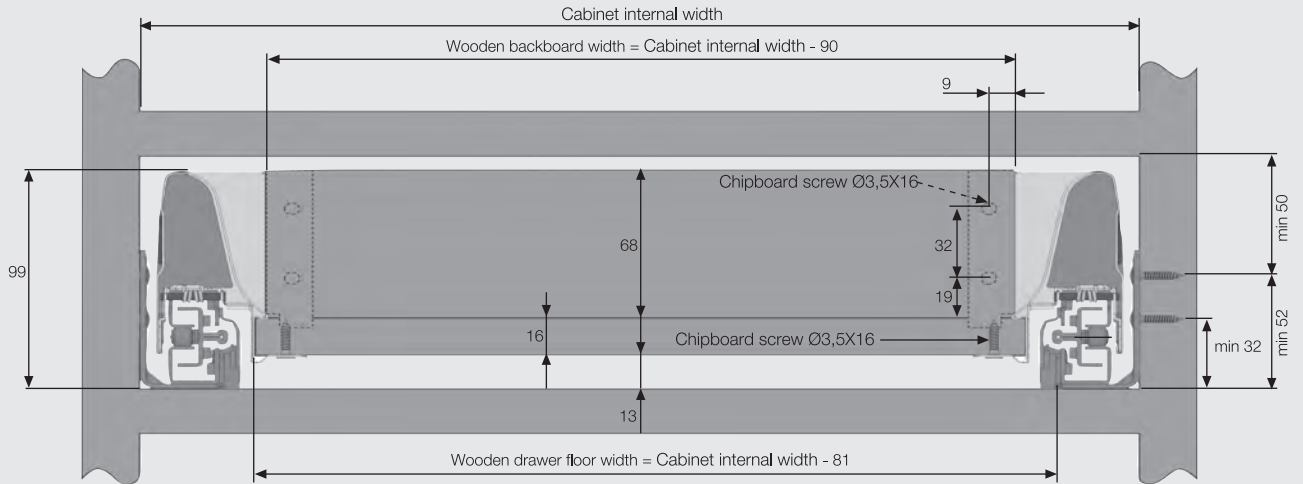
| Drawer Set | | | |
|--------------|----------------|-------------|--------------|
| Nominal Size | Packaging Type | Colour Grey | Colour White |
| 270mm. | 1 Set | 6500216 | 6500200 |
| 300mm. | 1 Set | | 6500201 |
| 350mm. | 1 Set | 6500218 | 6500202 |
| 400mm. | 1 Set | | 6500203 |
| 450mm. | 1 Set | 6500220 | 6500204 |
| 500mm. | 1 Set | 6500221 | 6500205 |
| 550mm. | 1 Set | 6500222 | 6500206 |
| 600mm. | 1 Set | | 6500207 |

| Front Panel | | | |
|----------------|----------------|-------------|--------------|
| Nominal Length | Packaging Type | Colour Grey | Colour White |
| 1069mm. | Ea | 12791731069 | 12791711069 |

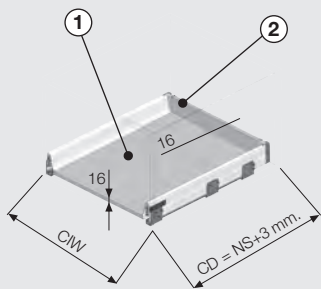


Drawer set contains front connector pieces, but front panels need to be ordered separately

Requirement for Place In The cabinet

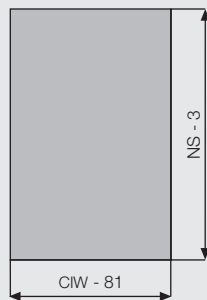


Wooden Backboard Application

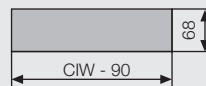


- CD** Cabinet Depth
- CIW** Cabinet Internal Width
- NS** Nominal Size
- MB** Metal Backboard

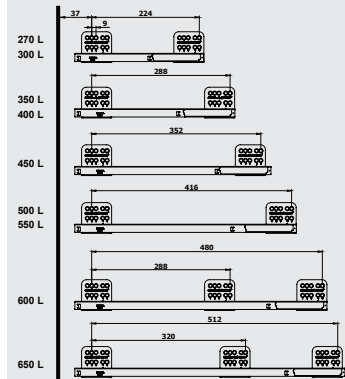
1. Wooden Drawer Floor Width



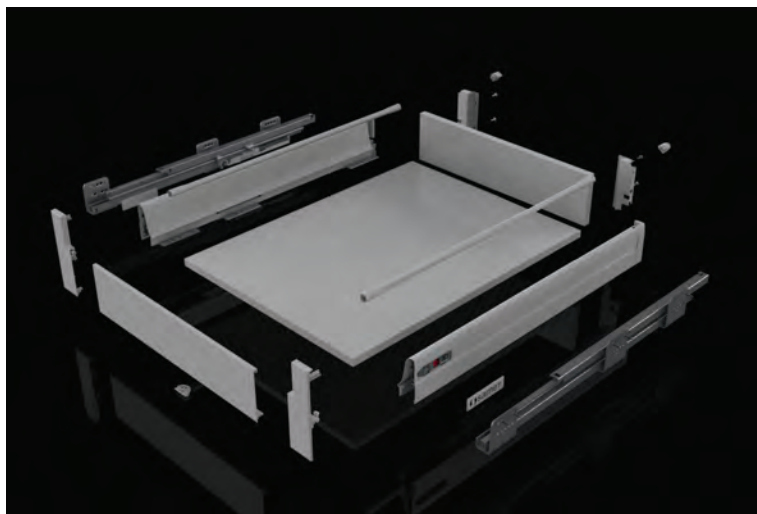
2. Wooden Backboard



Screw Locations for the Slides



* All dimensions in the diagram are in mm.



Specifications

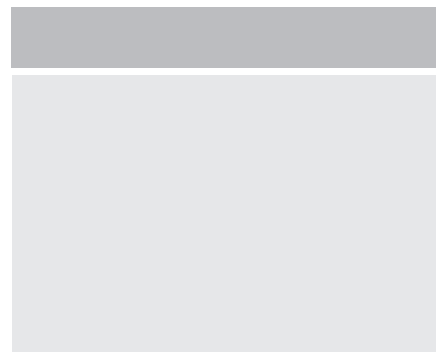
- Improved soft closing system guarantees smooth running
- 40 kg dynamic load capacity
- 116 mm backboard height
- White and Grey colour options
- Wood backboard thickness 16 mm
- 270/300/350/400/450/500/550/600 mm drawer length
- Smart-click; Front panel toolless assembly/disassembly.
- Smart-fit; Easy toolless drawer removal and fitting.
- Long service life

Package:

1. Smartbox slide (right-left)
2. Smartbox side (right-left)
3. Backboard holder (right-left)
4. Inner Drawer Front Connectors (2 pcs)
5. Decorative cover (2pcs)
6. Gallery Rails (Set 2)
7. Drawer Bottom Panel Holder

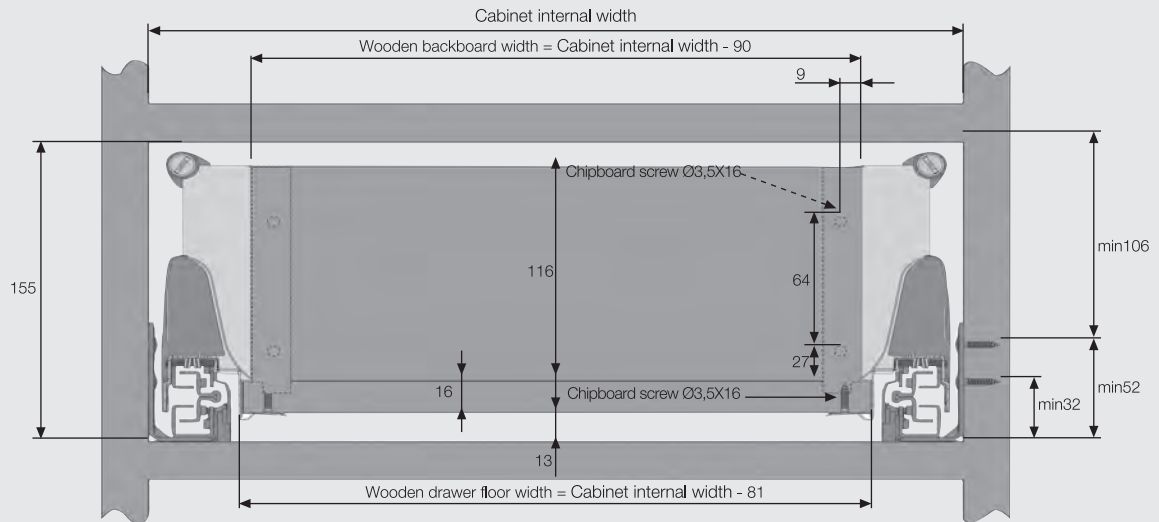
| Drawer Set | | | |
|--------------|----------------|-------------|--------------|
| Nominal Size | Packaging Type | Colour Grey | Colour White |
| 270mm. | 1 Set | 6500286 | 6500260 |
| 300mm. | 1 Set | | 6500261 |
| 350mm. | 1 Set | 6500288 | 6500262 |
| 400mm. | 1 Set | | 6500263 |
| 450mm. | 1 Set | 6500290 | 6500264 |
| 500mm. | 1 Set | 6500291 | 6500265 |
| 550mm. | 1 Set | | 6500266 |
| 600mm. | 1 Set | | 6500267 |

| Front Panel | | | |
|----------------|----------------|-------------|--------------|
| Nominal Length | Packaging Type | Colour Grey | Colour White |
| 1069mm. | Ea | 12791731069 | 12791711069 |

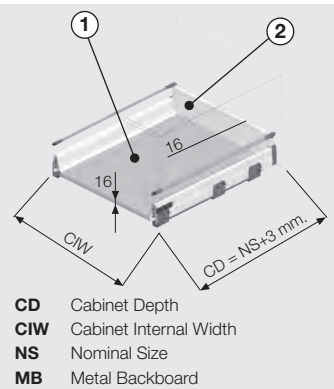


Drawer set contains front Inner Drawer Front Connectors, but front panels need to be ordered separately

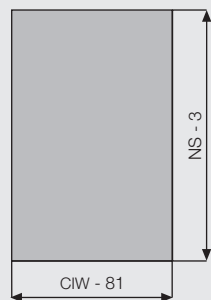
Requirement for Place In The cabinet



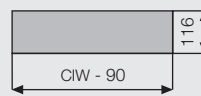
Wooden Backboard Application



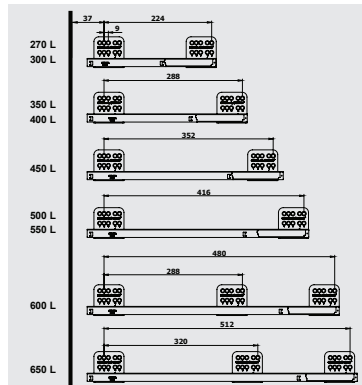
1. Wooden Drawer Floor Width



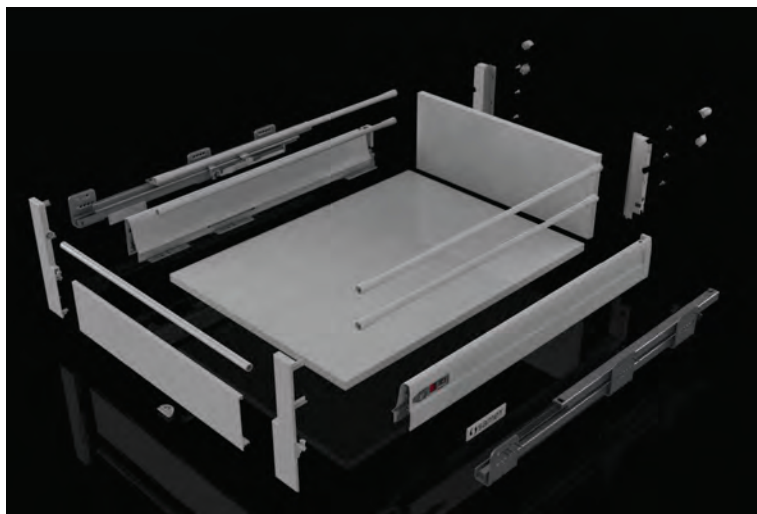
2. Wooden Backboard



Screw Locations for the Slides



* All dimensions in the diagram are in mm.



Specifications

- Improved soft closing system guarantees smooth running
- 40 kg dynamic load capacity
- 180 mm backboard height
- White and Grey colour options
- Wood backboard thickness 16 mm
- 270/300/350/400/450/500/550/600 mm drawer length
- Smart-click; Front panel toolless assembly/disassembly.
- Smart-fit; Easy toolless drawer removal and fitting
- Long service life

Package:

1. Smartbox slide (right-left)
2. Smartbox side (right-left)
3. Backboard holder (right-left)
4. Inner Drawer Front Connectors (2 pcs)
5. Decorative cover (2pcs)
6. Gallery Rails (Set 2)
7. Drawer Bottom Panel Holder

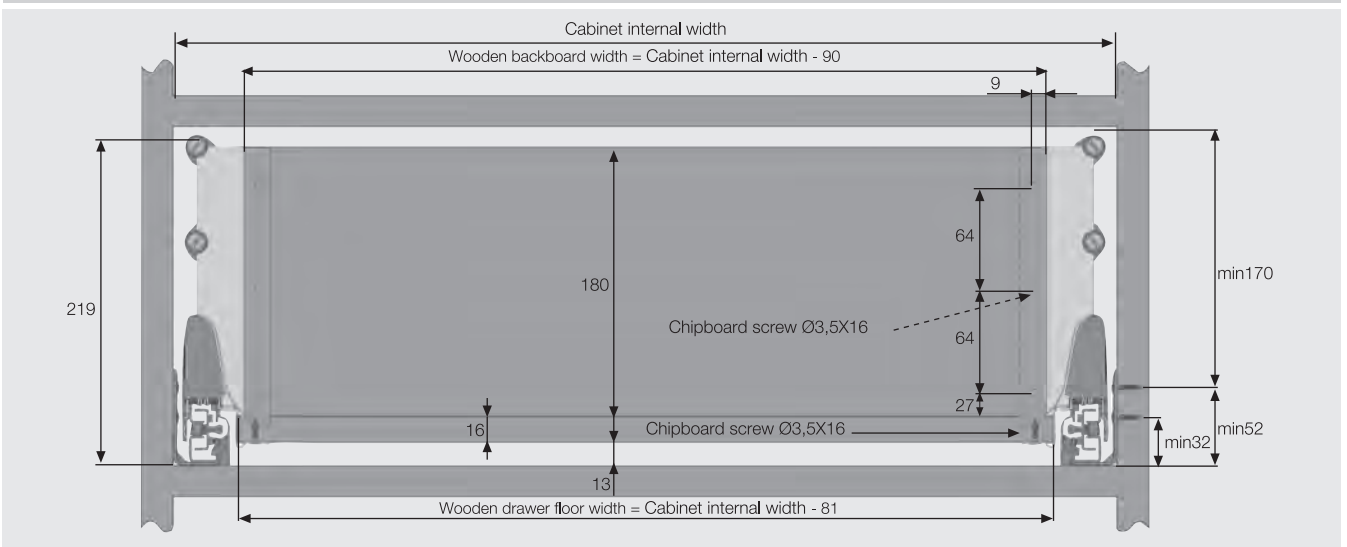
| Drawer Set | | | |
|--------------|----------------|-------------|--------------|
| Nominal Size | Packaging Type | Colour Grey | Colour White |
| 270mm. | 1 Set | 6501686 | 6501675 |
| 300mm. | 1 Set | | 6501676 |
| 350mm. | 1 Set | 6501688 | 6501677 |
| 400mm. | 1 Set | | 6501678 |
| 450mm. | 1 Set | 6501690 | 6501679 |
| 500mm. | 1 Set | 6501691 | 6501680 |
| 550mm. | 1 Set | | 6501681 |
| 600mm. | 1 Set | | 6501682 |

| Front Panel | | | |
|----------------|----------------|-------------|--------------|
| Nominal Length | Packaging Type | Colour Grey | Colour White |
| 1069mm. | Ea | 12791731069 | 12791711069 |

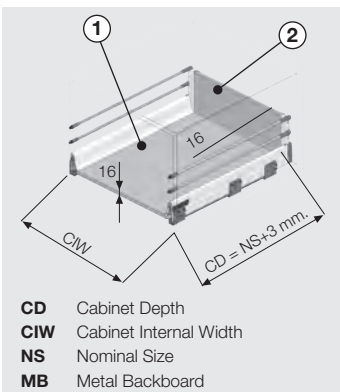
| Single Cross Rail | | | |
|-------------------|----------------|-------------|--------------|
| Nominal Length | Packaging Type | Colour Grey | Colour White |
| 1104mm. | Ea | 1121983 | 1121981 |

Drawer set contains front Inner Drawer Front Connectors, but front panel and cross rail need to be ordered separately

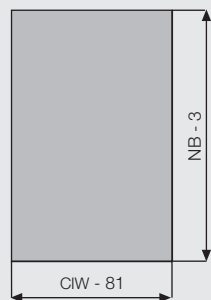
Requirement for Place In The cabinet



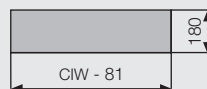
Wooden Backboard Application



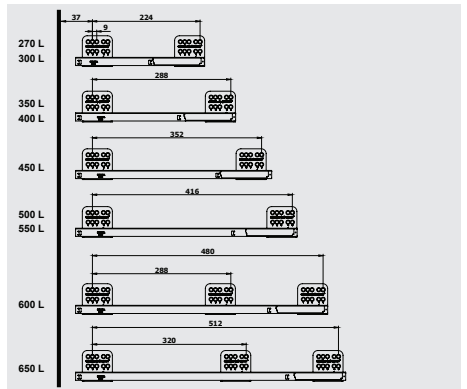
1. Wooden Drawer Floor Width



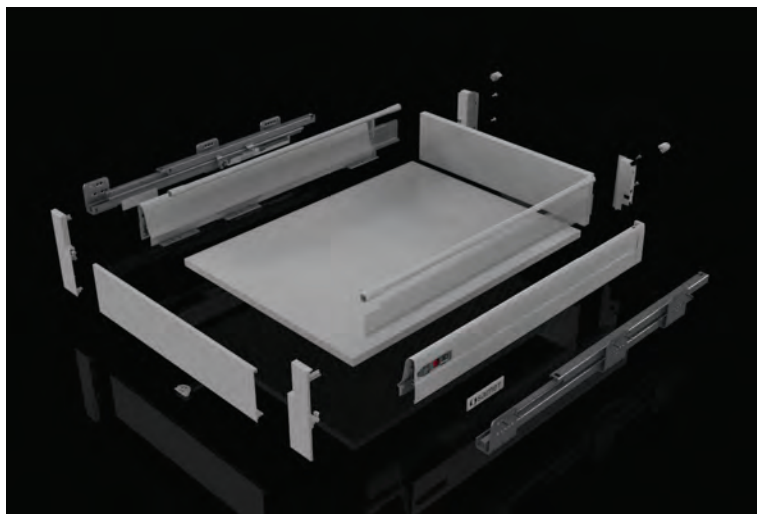
2. Wooden Backboard



Screw Locations for the Slides



* All dimensions in the diagram are in mm.



Specifications

- Improved soft closing system guarantees smooth running
- 40 kg dynamic load capacity
- 116 mm backboard height
- White and Grey colour options
- Wood backboard thickness 16mm
- 350/400/450/500mm drawer length
- Smart-click; Front panel toolless assembly/disassembly.
- Smart-fit; Easy toolless drawer removal and fitting.
- Long service life

Package:

1. Smartbox slide (right-left)
2. Smartbox side (right-left)
3. Backboard holder (right-left)
4. Inner Drawer Front Connectors (2 pcs)
5. Decorative cover (2pcs)
6. Gallery Rails (Set 2)
7. Plexi side panels or Steel side panels H:48 (Set 2)
8. Drawer Bottom Panel Holder

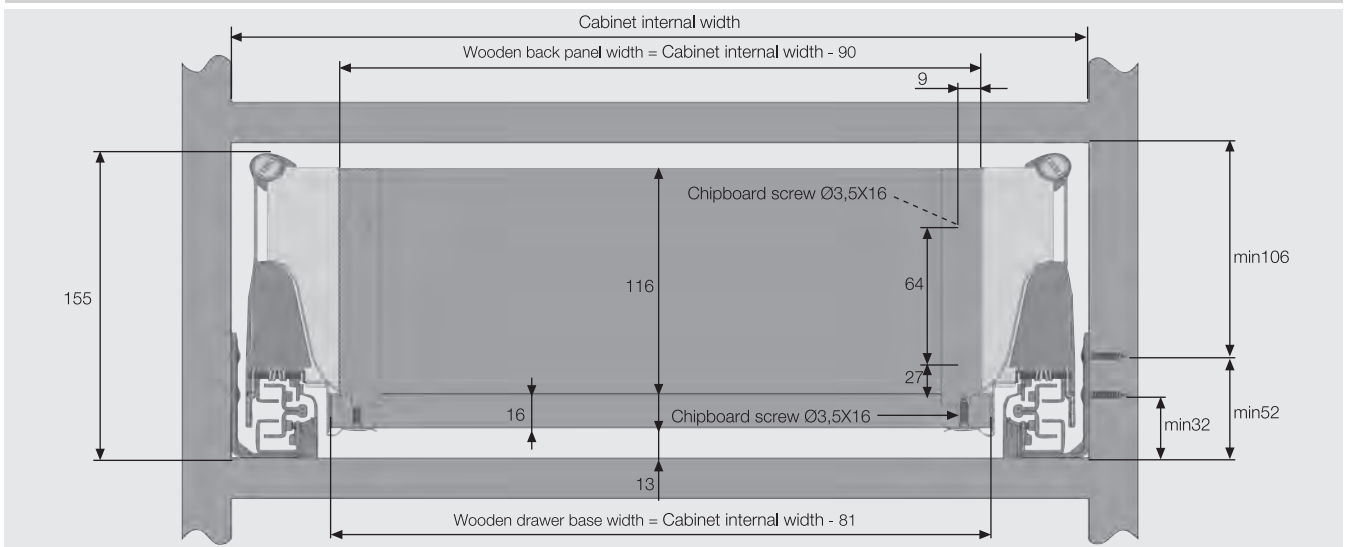
| Drawer Set with Plexi Sides | | | |
|-----------------------------|----------------|-------------|--------------|
| Nominal Size | Packaging Type | Colour Grey | Colour White |
| 350mm. | 1 Set | 6501663 | 6501655 |
| 400mm. | 1 Set | | 6501656 |
| 450mm. | 1 Set | 6501665 | 6501657 |
| 500mm. | 1 Set | 6501666 | 6501658 |

| Front Panel | | | |
|----------------|----------------|-------------|--------------|
| Nominal Length | Packaging Type | Colour Grey | Colour White |
| 1069mm. | Ea | 12791731069 | 12791711069 |

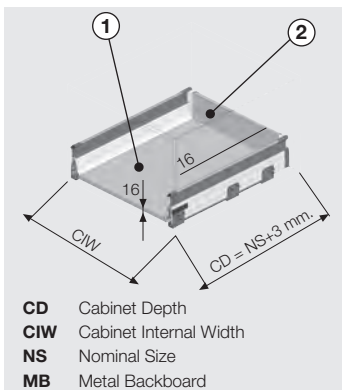
| Drawer Set with Steel Sides | | | |
|-----------------------------|----------------|-------------|--------------|
| Nominal Size | Packaging Type | Colour Grey | Colour White |
| 450mm. | 1 Set | 6501669 | 6501661 |
| 500mm. | 1 Set | 6501670 | 6501662 |

Drawer set contains front Inner Drawer Front Connectors, but front panels need to be ordered separately

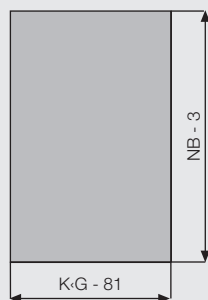
Requirement for Place In The cabinet



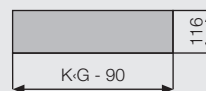
Wooden Backboard Application



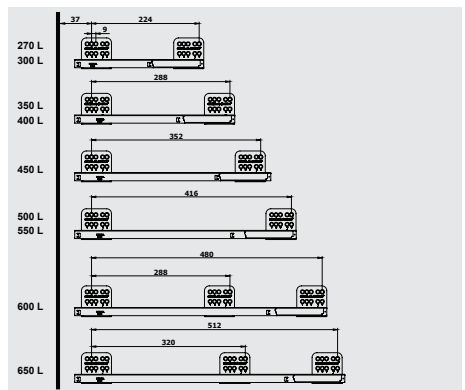
1. Wooden Drawer Floor Width



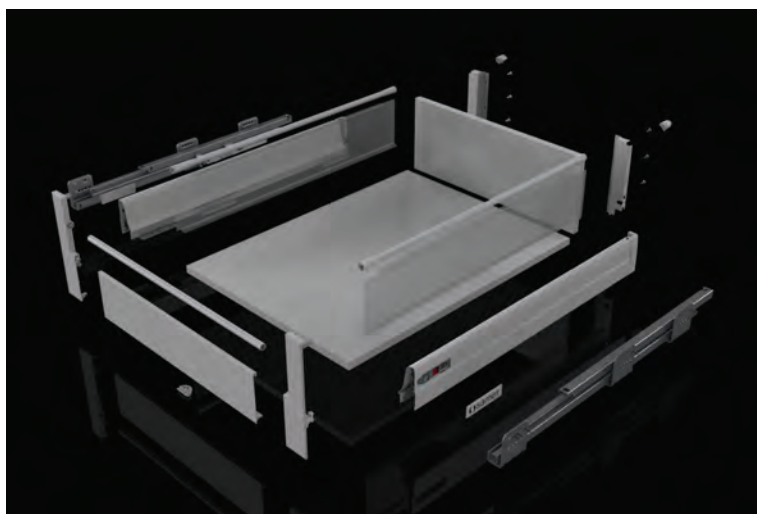
2. Wooden Backboard



Screw Locations for the Slides



* All dimensions in the diagram are in mm.



Specifications

- Improved soft closing system guarantees smooth running
- 40 kg dynamic load capacity
- 180 mm backboard height
- White and Grey color options
- Wood backboard thickness 16 mm
- 350/400/450/500mm drawer length
- Smart-click; Front panel toolless assembly/disassembly.
- Smart-fit; Easy toolless drawer removal and fitting.
- Long service life

Package:

1. Smartbox slide (right-left)
2. Smartbox side (right-left)
3. Backboard holder (right-left)
4. Inner Drawer Front Connectors (2 pcs)
5. Decorative cover (2pcs)
6. Gallery Rails (2 x Set 2)
7. Plexi side panels or Steel side panels H:112 (Set 2)
8. Drawer Bottom Panel Holder

| Drawer Set with Plexi Sides | | | |
|-----------------------------|----------------|-------------|--------------|
| Nominal Size | Packaging Type | Colour Grey | Colour White |
| 350mm. | 1 Set | | 6500330 |
| 400mm. | 1 Set | | 6500331 |
| 450mm. | 1 Set | 6500360 | 6500332 |
| 500mm. | 1 Set | 6500361 | 6500333 |

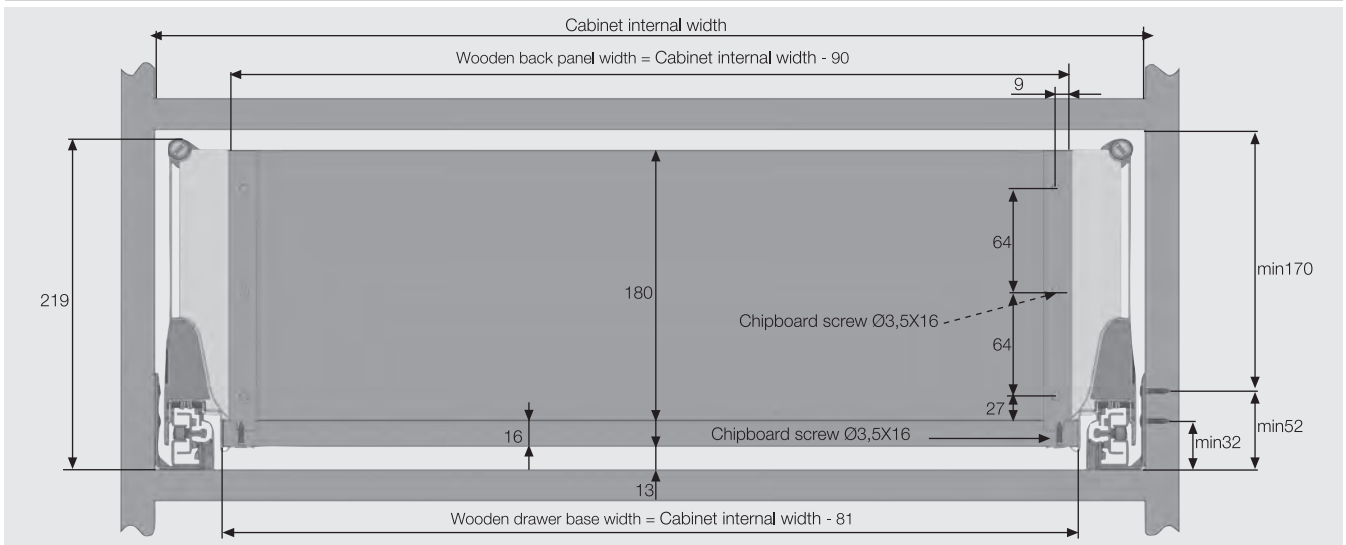
| Front Panel | | | |
|----------------|----------------|-------------|--------------|
| Nominal Length | Packaging Type | Colour Grey | Colour White |
| 1069mm. | Ea | 12791731069 | 12791711069 |

| Drawer Set with Steel Sides | | | |
|-----------------------------|----------------|-------------|--------------|
| Nominal Size | Packaging Type | Colour Grey | Colour White |
| 450mm. | 1 Set | 6500365 | 6500342 |
| 500mm. | 1 Set | 6500367 | 6500343 |

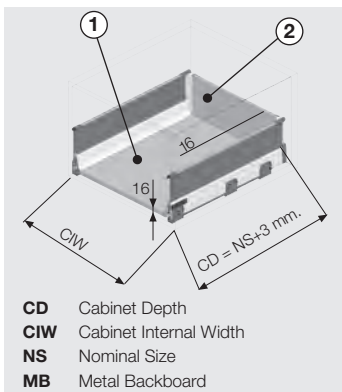
| Single Cross Rail | | | |
|-------------------|----------------|-------------|--------------|
| Nominal Length | Packaging Type | Colour Grey | Colour White |
| 1104mm. | Ea | 1121983 | 1121981 |

Drawer set contains front Inner Drawer Front Connectors, but front panel and cross rail need to be ordered separately

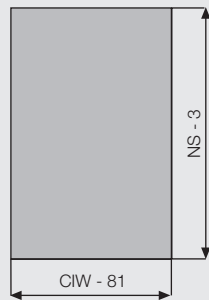
Requirement for Place In The cabinet



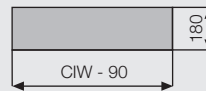
Wooden Backboard Application



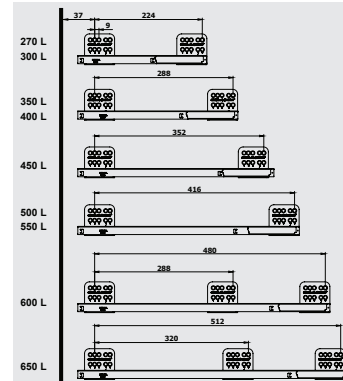
1. Wooden Drawer Floor Width



2. Wooden Backboard



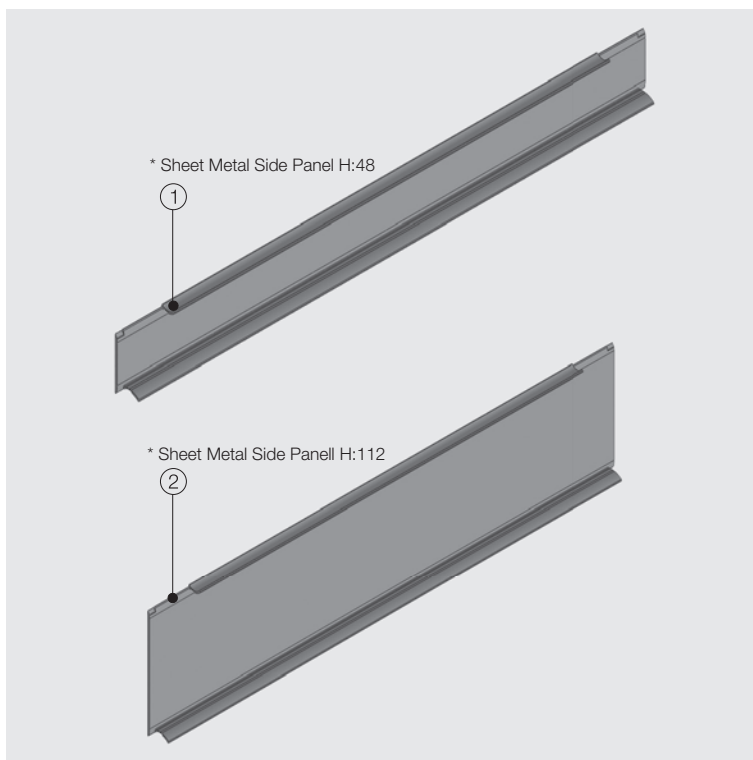
Screw Locations for the Slides





Side Panel

- 48 mm and 112 mm drawer height options
- White and Grey colour options
- Easy removal and fitting
- Plexi or Steel

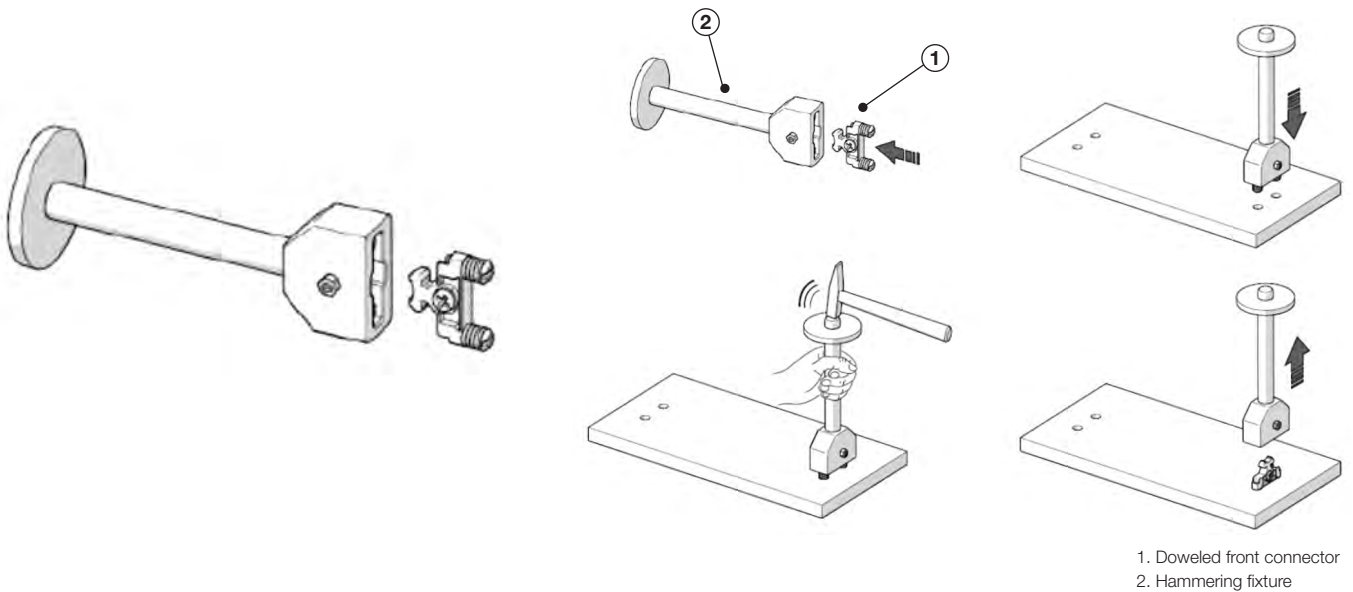


| 1 | | Plexi Side Panels H:48 | | Steel Side Panels H:48 | |
|--------|--------------|---------------------------|-----------|---------------------------|-----------|
| Colour | Packing Type | Length | Code | Length | Code |
| White | Pair | 350 mm | 127901113 | | |
| White | Pair | 400 mm | 127901114 | | |
| White | Pair | 450 mm | 127901115 | 450 mm | 127900915 |
| White | Pair | 500 mm | 127901116 | 500 mm | 127900916 |

| 1 | | Plexi Side Panels H:48 | | Steel Side Panels H:48 | |
|--------|--------------|---------------------------|-----------|---------------------------|-----------|
| Colour | Packing Type | Length | Code | Length | Code |
| Grey | Pair | 350 mm | 127901133 | | |
| Grey | Pair | 400 mm | 127901134 | | |
| Grey | Pair | 450 mm | 127901135 | 450 mm | 127900935 |
| Grey | Pair | 500 mm | 127901136 | 500 mm | 127900936 |

| 2 | | Plexi Side Panels H:112 | | Steel Side Panels H:112 | |
|--------|--------------|----------------------------|-----------|----------------------------|-----------|
| Colour | Packing Type | Length | Code | Length | Code |
| White | Pair | 350 mm | 127901213 | | |
| White | Pair | 400 mm | 127901214 | | |
| White | Pair | 450 mm | 127901215 | 450 mm | 127901015 |
| White | Pair | 500 mm | 127901216 | 500 mm | 127901016 |

| 2 | | Plexi Side Panels H:112 | | Steel Side Panels H:112 | |
|--------|--------------|----------------------------|-----------|----------------------------|-----------|
| Colour | Packing Type | Length | Code | Length | Code |
| | | | | | |
| | | | | | |
| Grey | Pair | 450 mm | 127901235 | 450 mm | 127901035 |
| Grey | Pair | 500 mm | 127901236 | 500 mm | 127901036 |



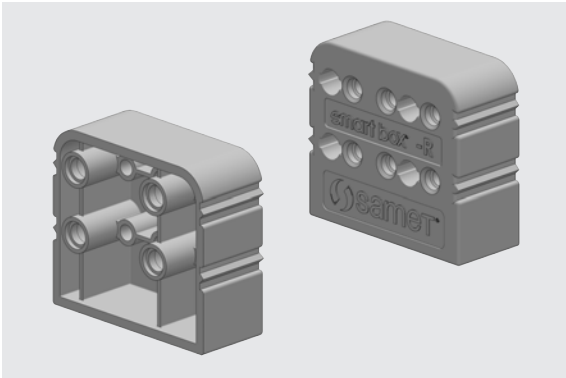
- Hammering fixture is designed in order to make it easier to mount the Smart Box doweled front connection pieces to the front panel

1 Smart Box Doweled Front Connector

| Colour | Packing Type | Doweled | Code |
|--------|--------------|---------|-----------|
| Zinc | 1 Set | Doweled | 127904127 |

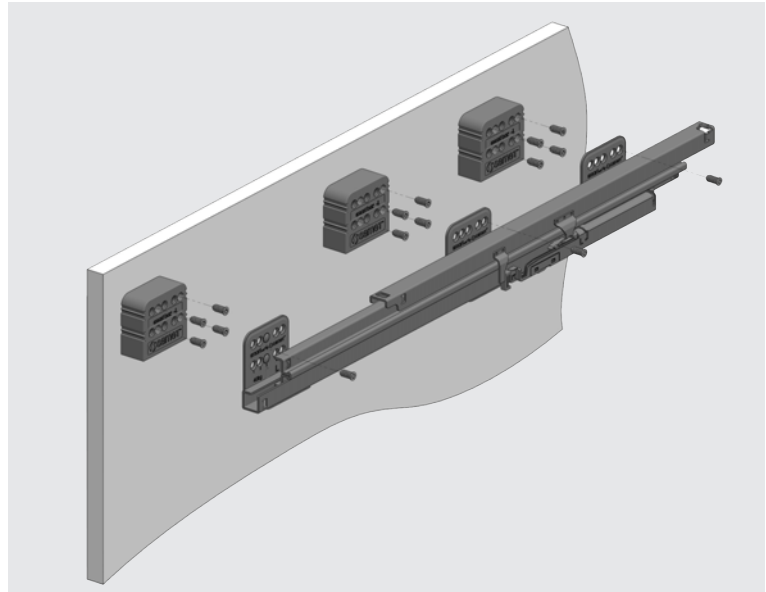
2 Hammering Fixture

| Description | Packing Type | Code |
|-------------------|--------------|--------|
| Hammering fixture | Each | 136201 |

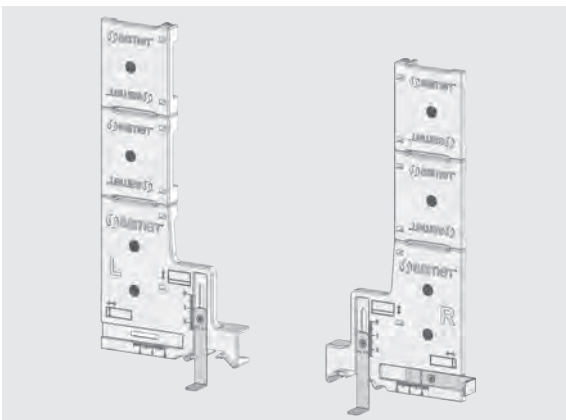
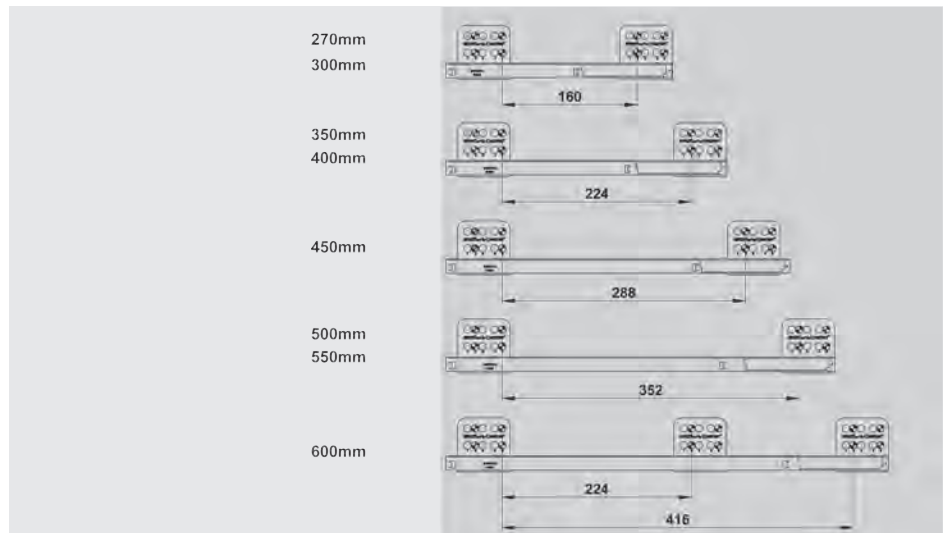


Smart Distance Bracket

- Smart distance bracket is used for IN-BOX applications of Smart drawer slides.
- Fixing screw, use Ø6 mm diameter euro screw.
- In calculation of drawer dimensions, distance bracket thickness S=25 mm should be taken into account.



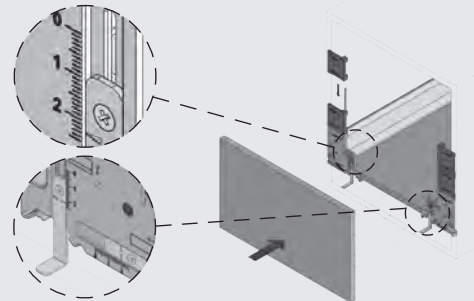
| Smart Distance Bracket | | | |
|------------------------|--------------|--------|----------|
| | Packing Size | Colour | Code |
| Right | Each | Grey | 12790761 |
| Left | Each | Grey | 12790762 |



Smart Marking Guide

- This template provides direct application to mark the front panels of Smart Box Drawers without any measurement.
- It can be used with 'without gallery railing', 'single and double gallery railings', 'side panel H:48 and H:112' models.
- Front panel can be adjustable up-down, right-left directions on the template.

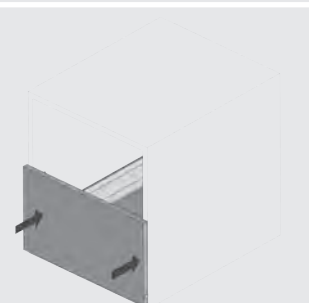
The up-down and right-left adjustments are made as shown by assembling the front panel marking template to the drawer in the cabinet.



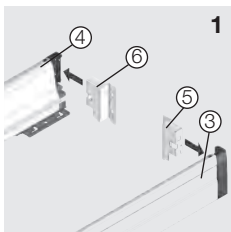
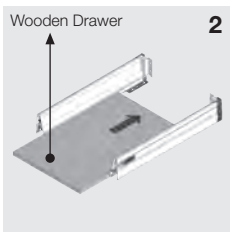

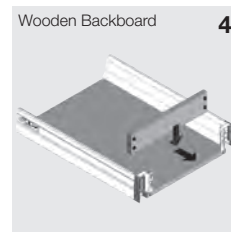


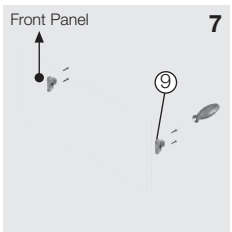



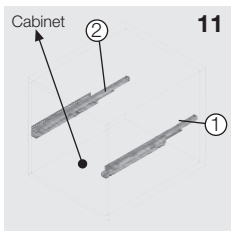


Marking is done by hitting the front panel placed on the adjusted template.

Drawer Front Panel Marking Template

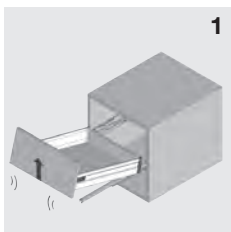
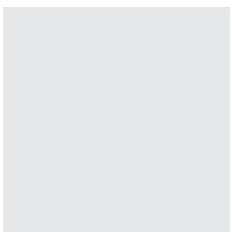
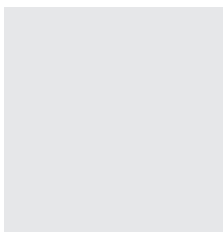
| Packing Type | Code |
|--------------|----------|
| 1 Set | 12799908 |



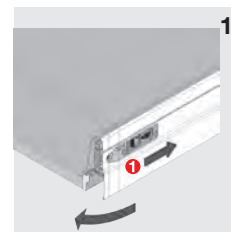
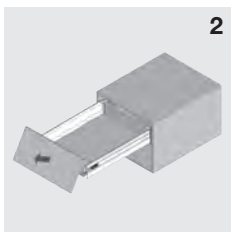
Drawer Assembly and Mounting

| | | | | | | | | | |
|--|-----------|--|-----------|--|-----------|--|----------|---|-----------|
|  | 1 |  | 2 |  | 3 |  | 4 |  | 5 |
|  | 6 |  | 7 |  | 8 |  | 9 |  | 10 |
|  | 11 |  | 12 |  | 13 | | | | |

Removing the Drawer


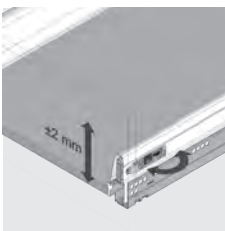
| | | | | | |
|---|----------|---|--|---|--|
|  | 1 |  | |  | |
|---|----------|---|--|---|--|

Removing the Front Panel


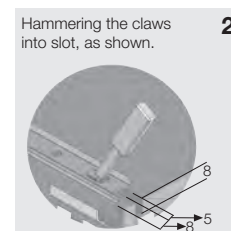
| | | | |
|--|----------|---|----------|
|  | 1 |  | 2 |
|--|----------|---|----------|

*Note: Push the red button (1) to arrow direction for displacing the front panel.

Adjustment

| | |
|---|---|
|  |  |
|---|---|

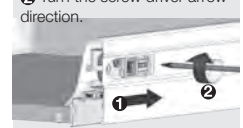
Mounting wooden Drawer Floor without Screw

| | | | |
|---|----------|--|----------|
|  | 1 |  | 2 |
|---|----------|--|----------|

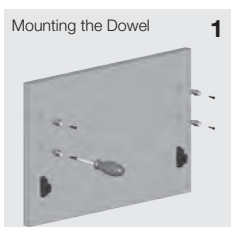
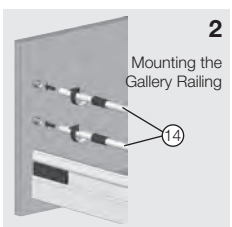
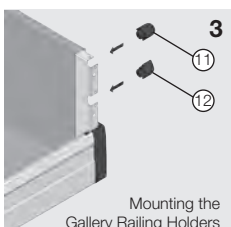
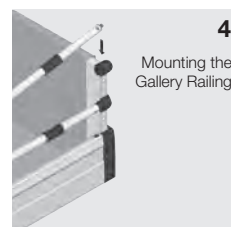

Adjusting Mechanism

The lock slots shuts down due to system failure;

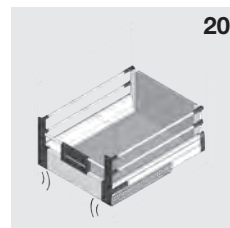
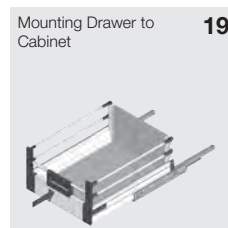
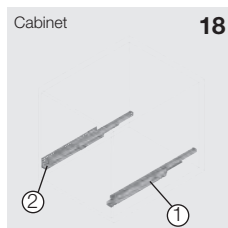
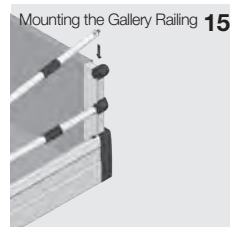
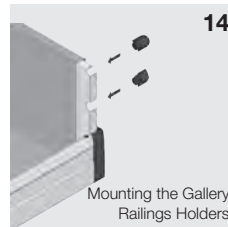
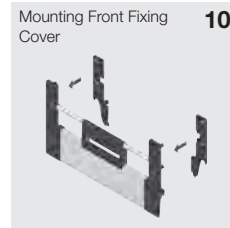
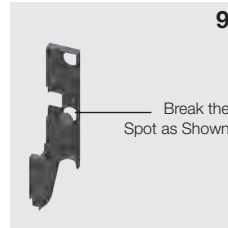
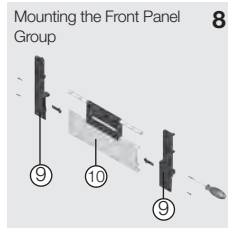
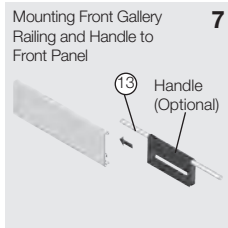
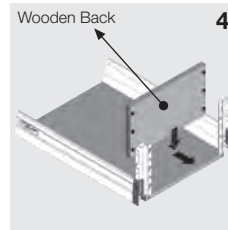
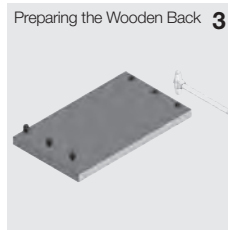
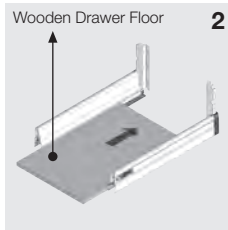
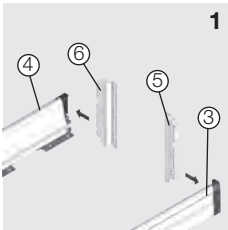
- 1 Push the red button arrow direction.
- 2 Turn the screw driver arrow direction.



Mounting Gallery Railings

| | | | | | | | | | |
|---|----------|---|----------|---|----------|--|----------|---|----------|
|  | 1 |  | 2 |  | 3 |  | 4 |  | 5 |
|---|----------|---|----------|---|----------|--|----------|---|----------|

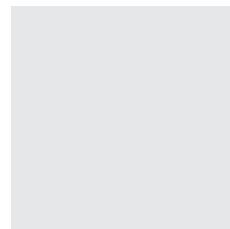
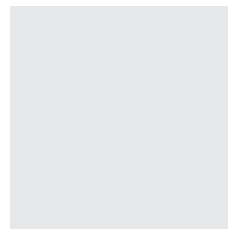
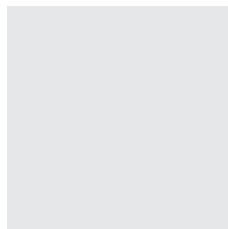
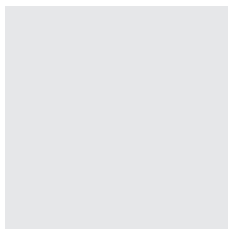
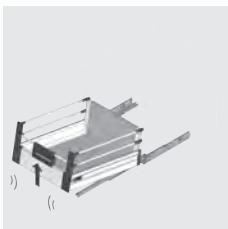
IN-BOX Mounting



*Note: Handle not available

*Note: Using handle is optional for IN-BOX

Removing the Drawer



IN-BOX Side Panel

